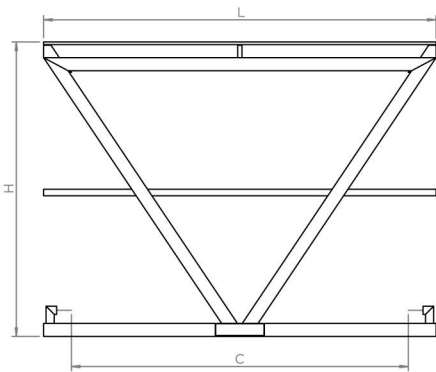
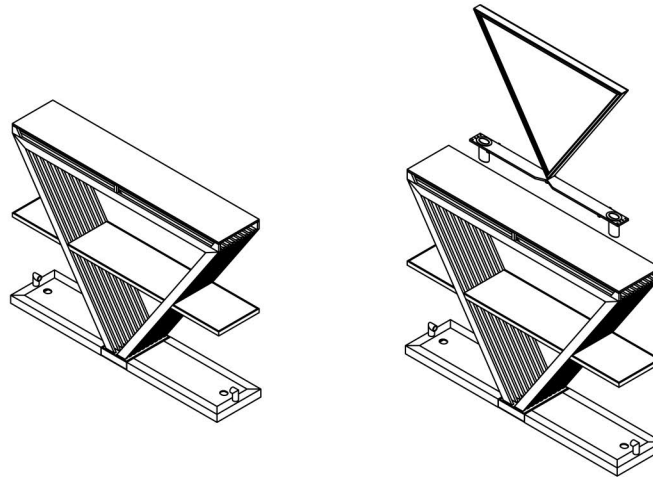


ELIXIR

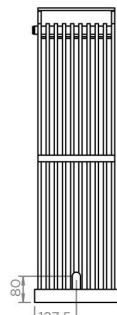
INS-VS1

ALL MEASUREMENTS ARE IN MILLIMETRES

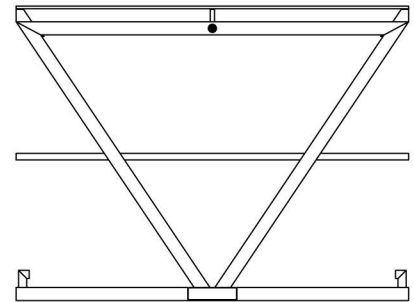
MANUFACTURED FROM STAINLESS STEEL



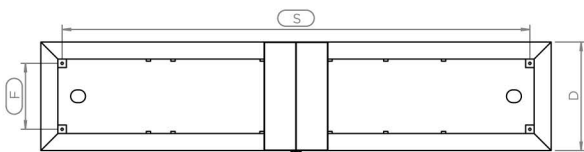
Front View



Side View



Back View



Bottom View

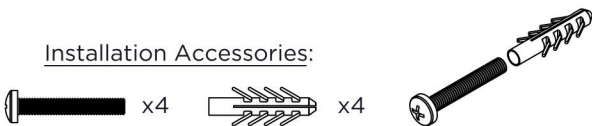
Plumbing Position:



Vertical mount / Free S.
 All Dimensions are in mm
 Max. Working Pressure: 5 Bar
 Max. Working Temperature: 95° C
 Inlet / Outlet : 1/2" BSP
 Fuel : H

Manufacturing Tolerance : - 5 mm

Installation Accessories:



PRODUCT CODE	Height	Length	Depth	Pipe Centres	Bracket Centres	
	H mm	L mm	D mm	C mm	F mm	S mm
ELX120	900	1200	255	1030	155	1100
ELX150	900	1500	255	1330	155	1400