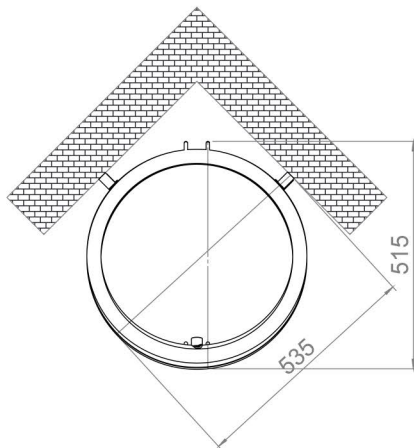
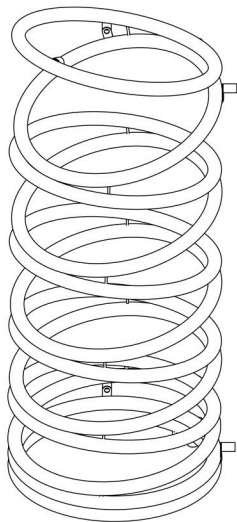


# HELIO

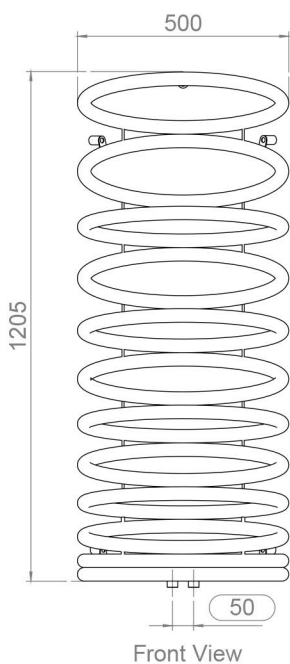
INS-VS1

ALL MEASUREMENTS ARE IN MILLIMETRES

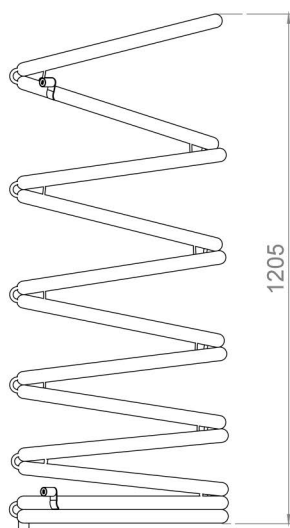
MANUFACTURED FROM STAINLESS STEEL



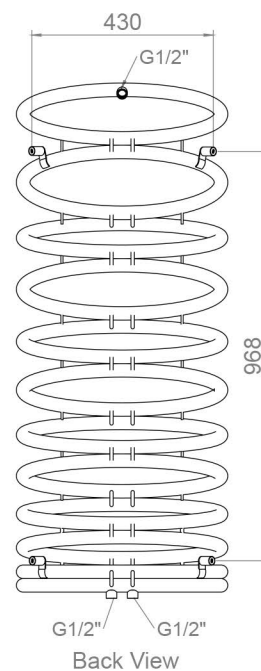
Top View



Front View

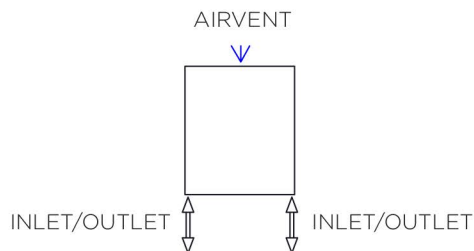


Side View



Back View

INSTALLATION ACCESSORIES:



All Dimension are in mm  
Max.Working Pressure = 10 Bar  
Max.Working Temperature=95° C  
Inlet / Outlet : 1/2" BSP