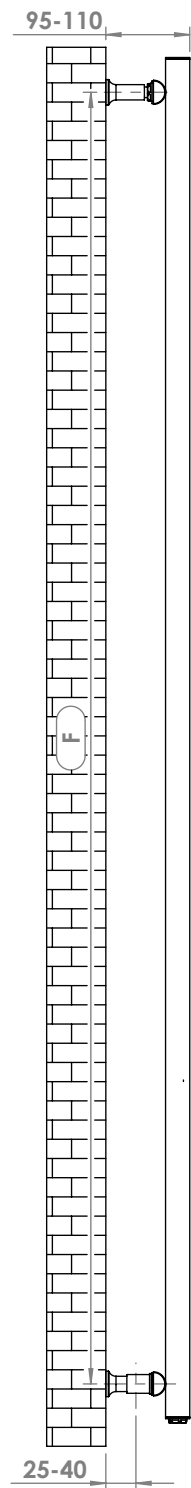
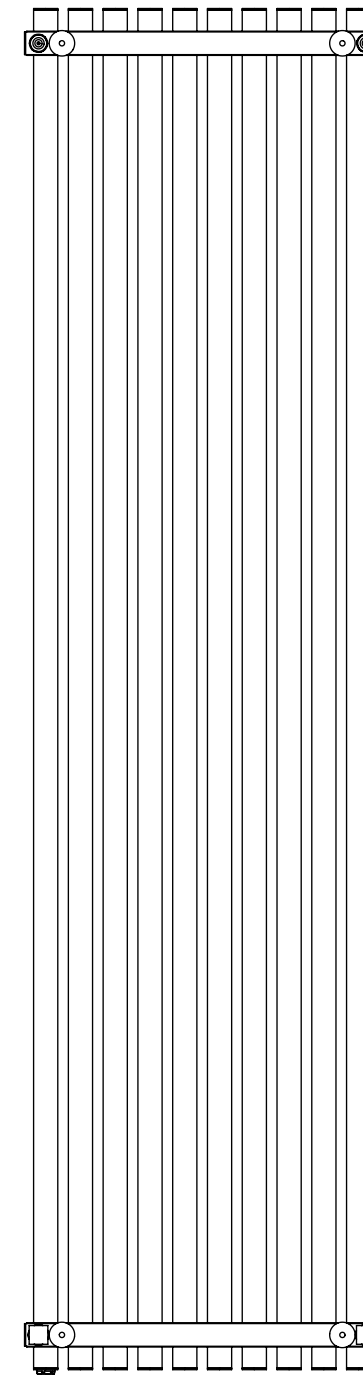


Front View

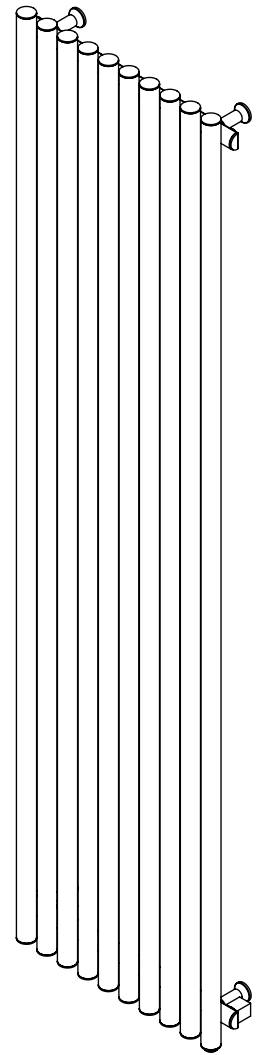
Electrical Element Inlet



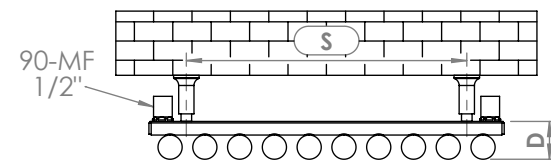
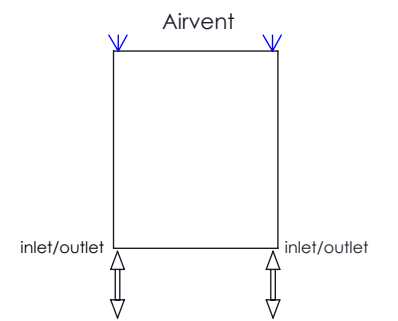
Side View



Back View




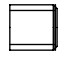
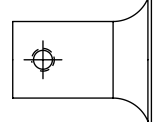



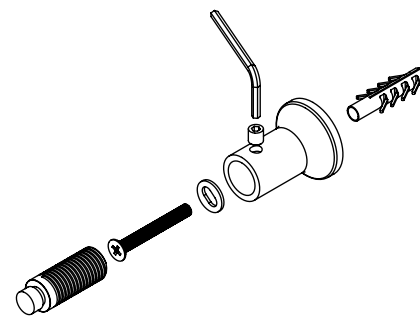
Plumbing Position:



Top View

Installation Accessories:

-  **x4**  **x4**
-  **x4**  **x4**
-  **x4**  **x1**



Vertical mount
 All Dimensions are in mm
 Max. Working Pressure: 10 Bar
 Max. Working Temperature: 95° C
 Inlet / Outlet : 1/2" BSP
 Fuel : E/H/D

Manufacturing Tolerance : - 5 mm

PRODUCT CODE	Height	Length	Depth	Pipe Centres	Bracket Centres	
	H mm	L mm	D mm	C mm	F mm	S mm
IMZ100	1000	470	50	433	908	370
IMZ150	1500	470	50	433	1408	370
IMZ180	1800	470	50	433	1708	370
IMZ200	2000	470	50	433	1908	370
ITB10	32	360				