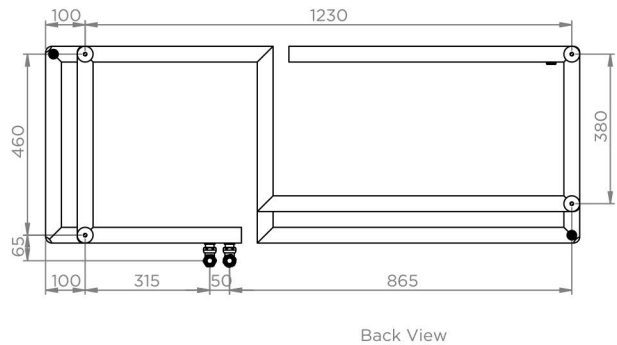
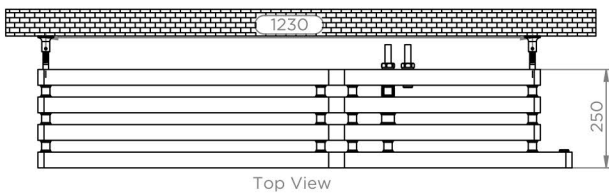
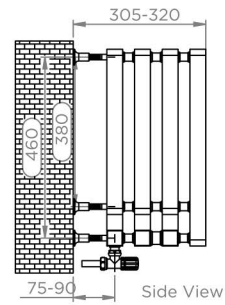
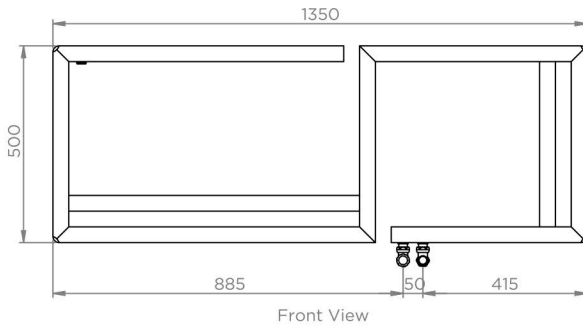
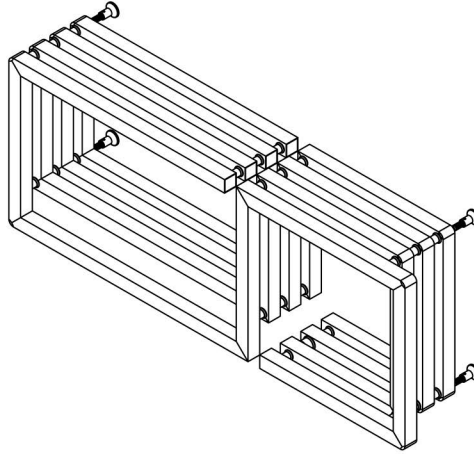


S-TYPE

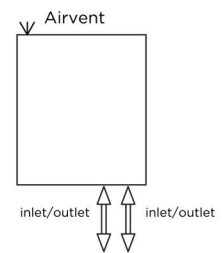
INS-VS1

ALL MEASUREMENTS ARE IN MILLIMETRES

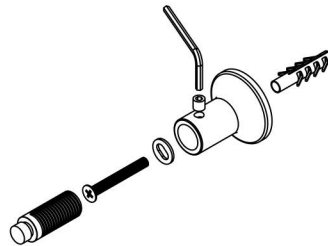
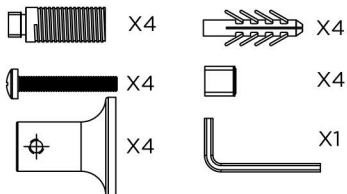
MANUFACTURED FROM STAINLESS STEEL



Plumbing Position:



Installation Accesories:



All Dimension are in mm
 Max.Working Pressure = 10 Bar
 Max.Working Temperature=95° C
 Inlet / Outlet : 1/2" BSP