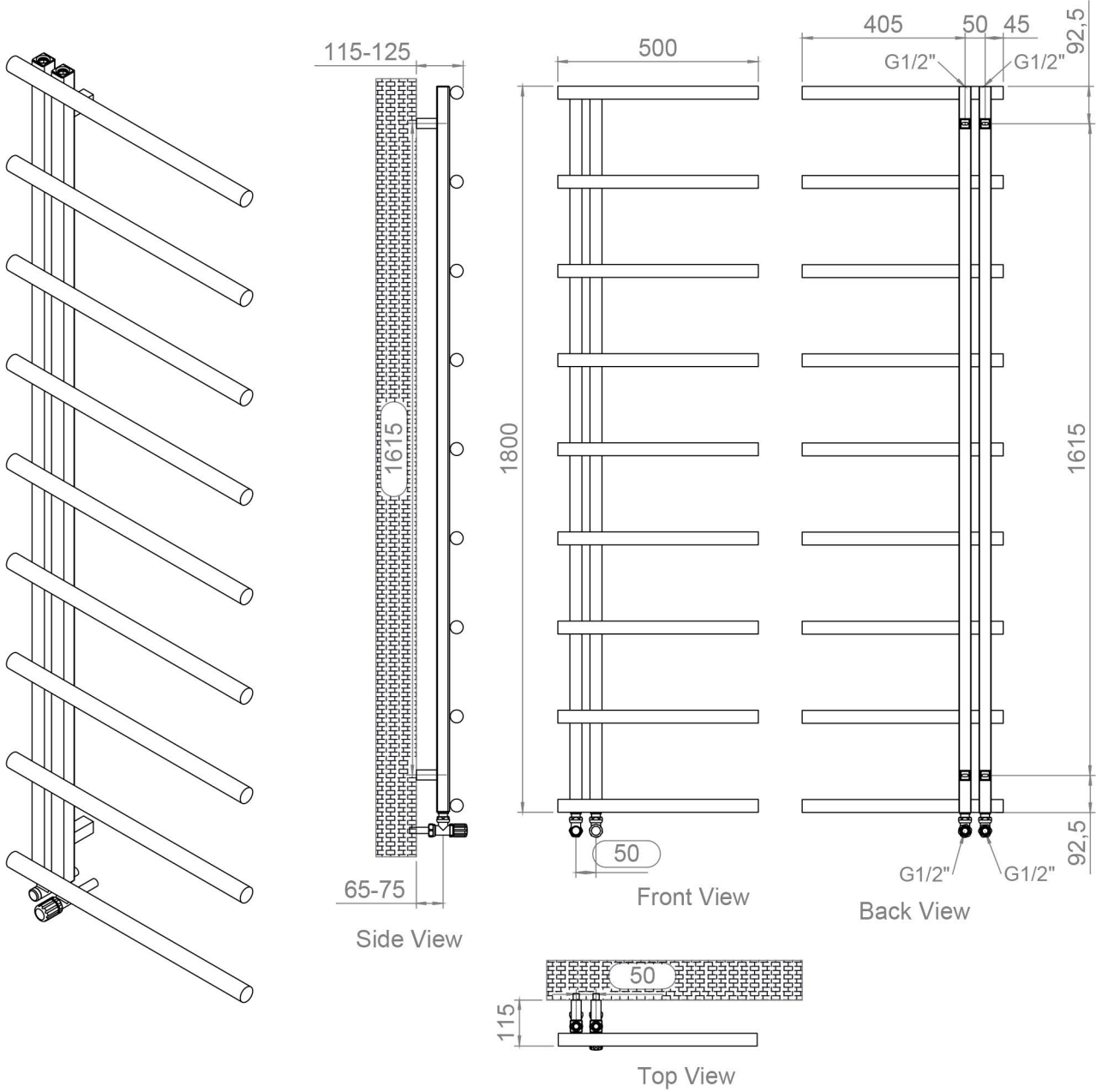


# VERA

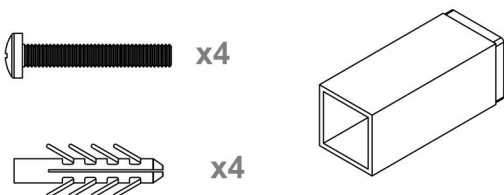
INS-VS1

ALL MEASUREMENTS ARE IN MILLIMETRES

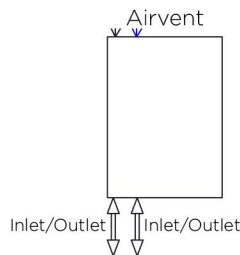
MANUFACTURED FROM STAINLESS STEEL



## Installation Accessories



## Fitting Position



Vertical Mount  
All Dimensions are in mm  
Max.Working Pressure = 10 Bar  
Max.Working Temperature = 95°  
Inlet/Outlet: 1/2" BSP  
Fuel: H