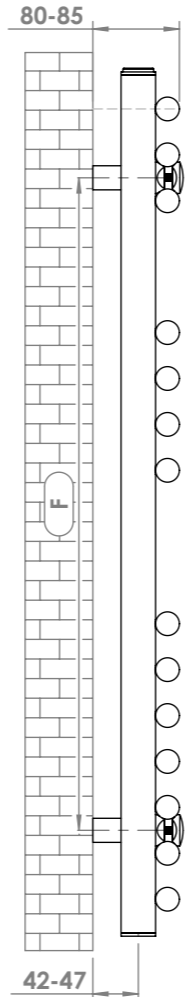
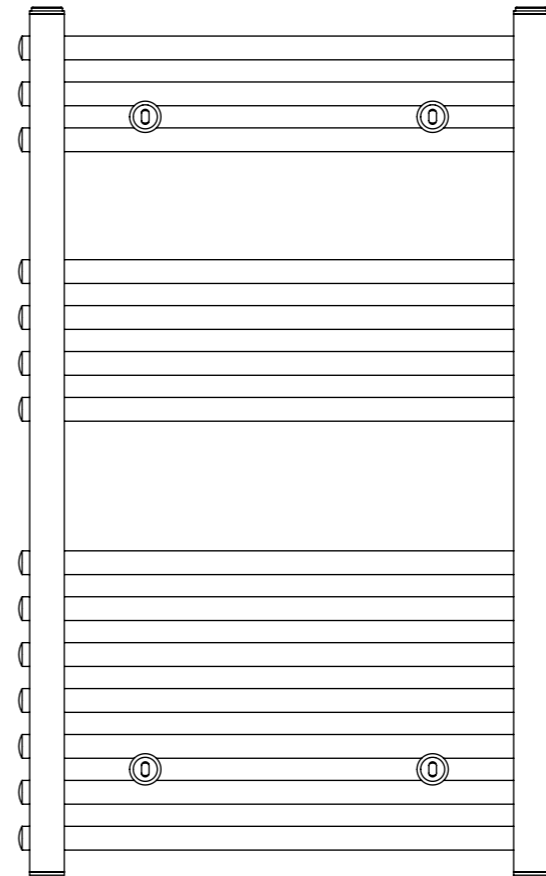


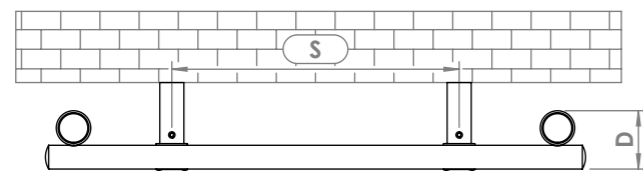
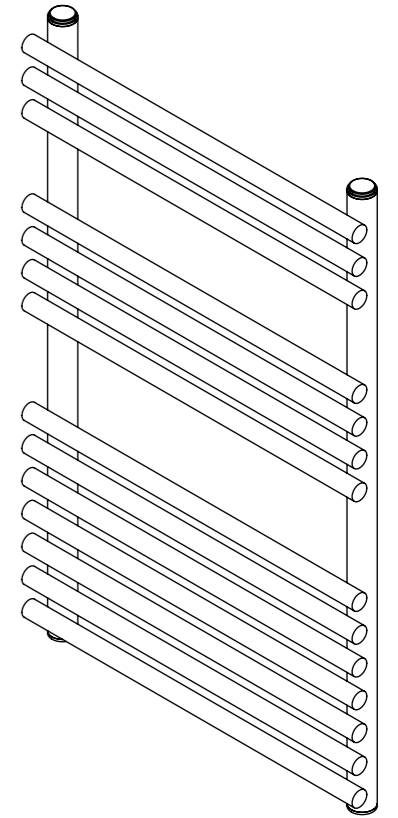
Front View



Side View

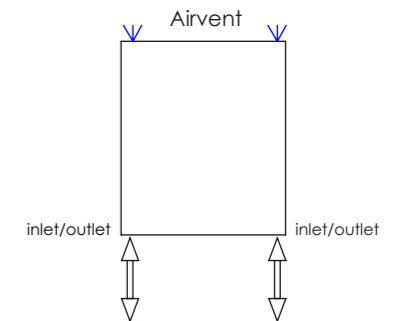


Back View



Top View

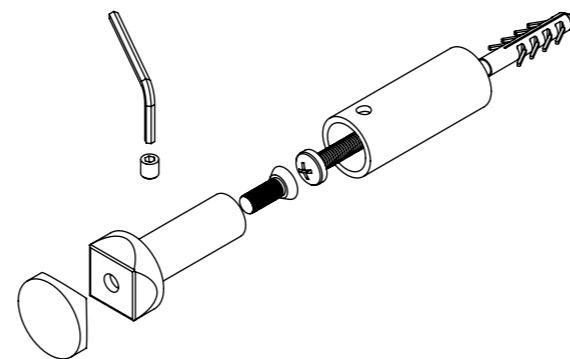
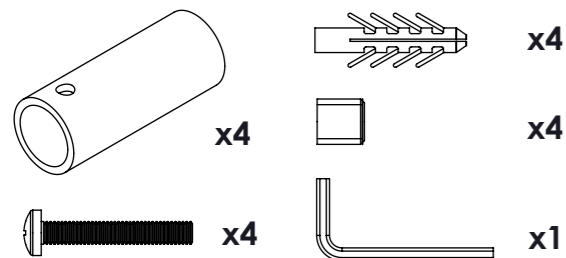
Plumbing Position:



Vertical mount
 All Dimensions are in mm
 Max. Working Pressure: 10 Bar
 Max. Working Temperature: 95° C
 Inlet / Outlet : 1/2" BSP
 Fuel : E/H/D

Manufacturing Tolerance : - 5 mm

Installation Accessories:



PRODUCT CODE	Height	Length	Depth	Pipe Centres	Bracket Centres	
	H mm	L mm	D mm	C mm	F mm	S mm
WIN5W8	798	500	57	448	600	266
WIN5W11	1150	500	57	448	952	266
WIN5W16	1612	500	57	448	1419	266
WINEC (pair)						