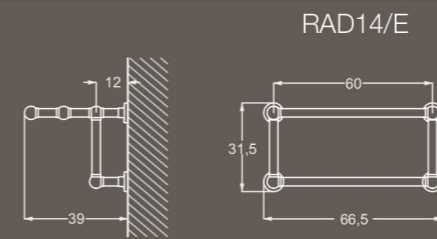
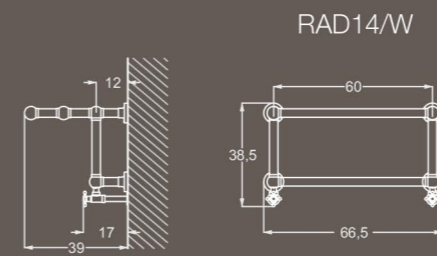
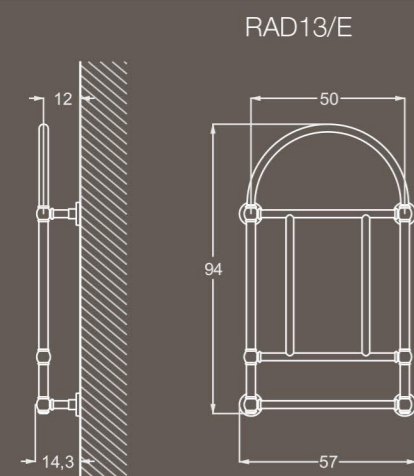
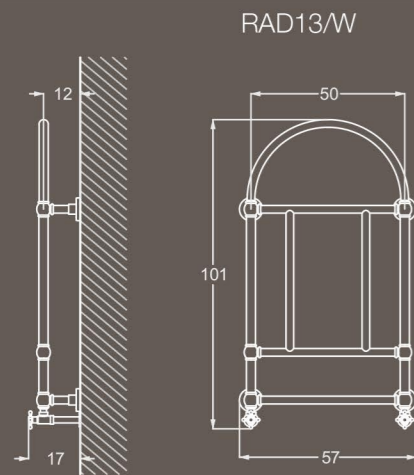


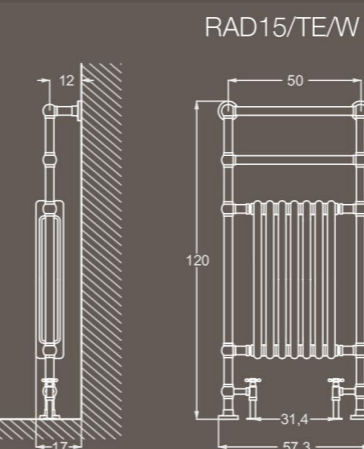
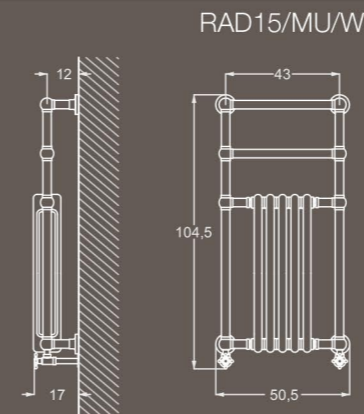
Articolo Article	Resa Yield	
	WATT Δt 50°C	kcal/h Δt 50°C
RAD10	218	187
RAD11	305	262
RAD12	325	279



Articolo Article	Resa Yield	
	WATT Δt 50°C	kcal/h Δt 50°C
RAD14	323	278



Articolo Article	Resa Yield	
	WATT Δt 50°C	kcal/h Δt 50°C
RAD13	265	230



Articolo Article	Resa Yield	
	WATT Δt 50°C	kcal/h Δt 50°C
RAD15/MU	663	570

Articolo Article	Resa Yield	
	WATT Δt 50°C	kcal/h Δt 50°C
RAD15/TE	858	738