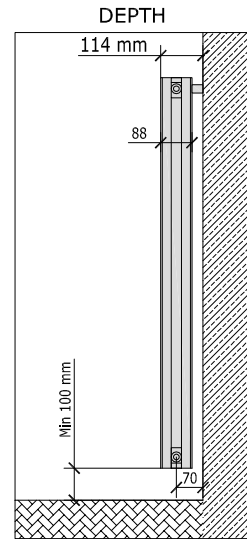
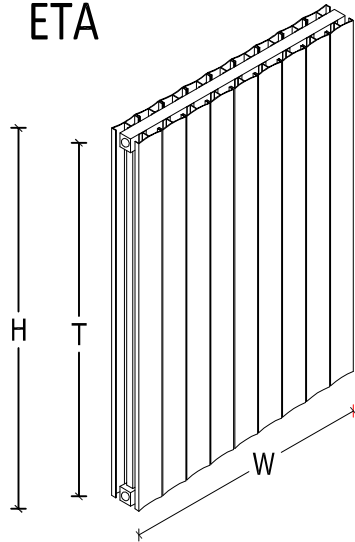




ETA

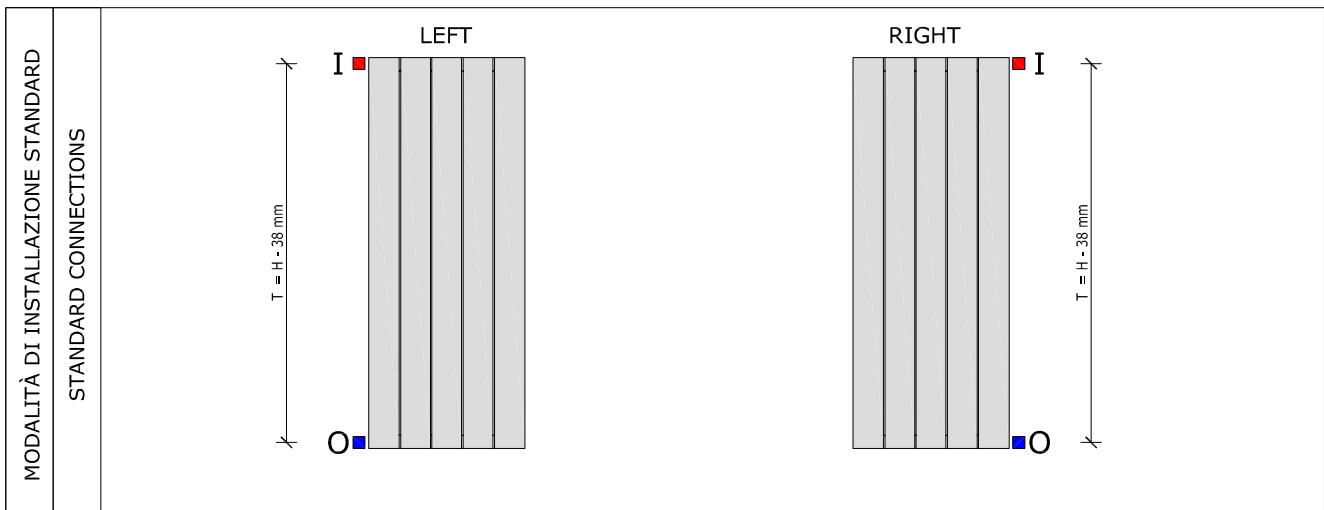


H	altezza height hauteur altura	W	larghezza width largeur anchura	T	interasse Tap to tap distance entraxe inter-espacio	Lt	litri liters litres litros	resa - output - rendement - rendimento	
								ΔT 30° C	ΔT 50° C
								Watt	Watt
338				300	0,18	37	72		
438				400	0,20	45	89		
538				500	0,23	54	105		
638				600	0,25	63	124		
738				700	0,28	73	143		
838				800	0,31	81	159		
938				900	0,33	91	178		
1.038				1.000	0,36	100	196		
1.238			L = 80 mm x n° el.	1.200	0,41	119	234		
1.438				1.400	0,46	138	271		
1.638				1.600	0,51	157	308		
1.838				1.800	0,56	176	345		
2.038				2.000	0,61	195	383		
2.238				2.200	0,66	215	421		
2.538				2.500	0,74	243	476		

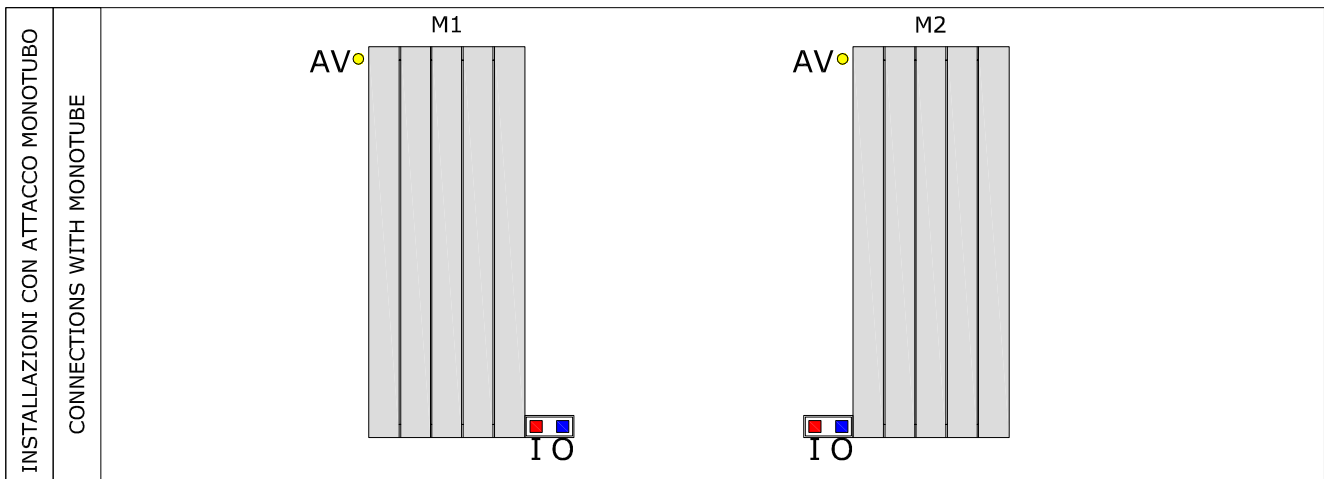
Dati per elemento

AVAILABLE CONNECTIONS

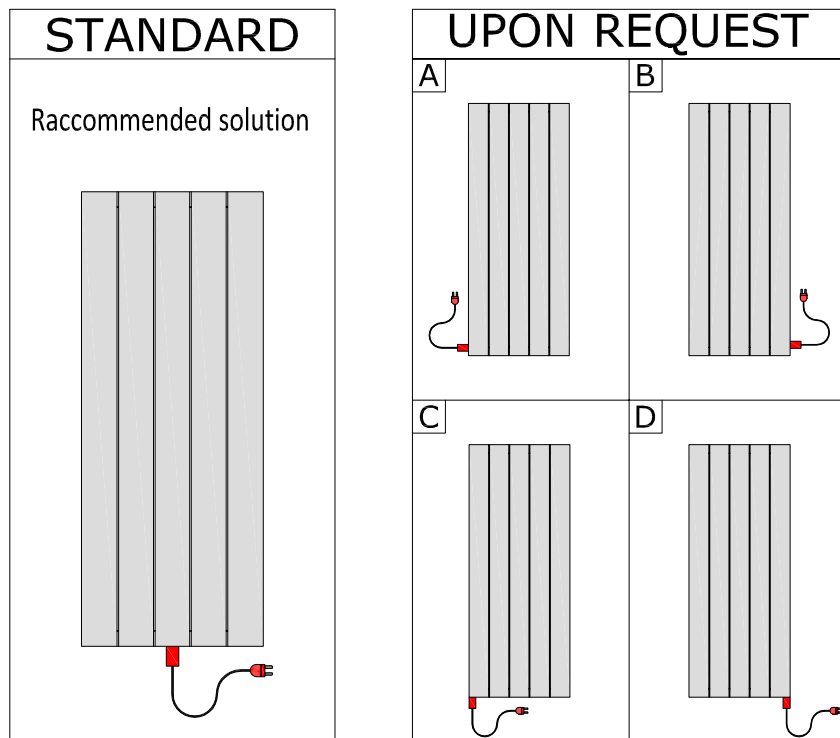
- I = in
- O = out
- ▲ D = Diaphragm
- T = Tap to tap distance



<p>INSTALLAZIONI SU RICHIESTA - A</p>	<p>CONNECTIONS UPON REQUEST - A</p>	<p>A1, A2, A3, A4</p> <p>$T = W + 90\text{mm}$</p>
<p>INSTALLAZIONI SU RICHIESTA - B</p>	<p>CONNECTIONS UPON REQUEST - B</p>	<p>B1, B2, B3, B4, B5, B6</p> <p>$T_{\text{max}} = L - 70\text{ mm}$ $T_{\text{upon request}}$</p> <p>$T = 50\text{mm}$</p>
<p>INSTALLAZIONI SU RICHIESTA - C</p>	<p>CONNECTIONS UPON REQUEST - C</p>	<p>C1, C2</p> <p>$T = H - 38\text{ mm}$</p>



ELETTRIC CONFIGURATIONS

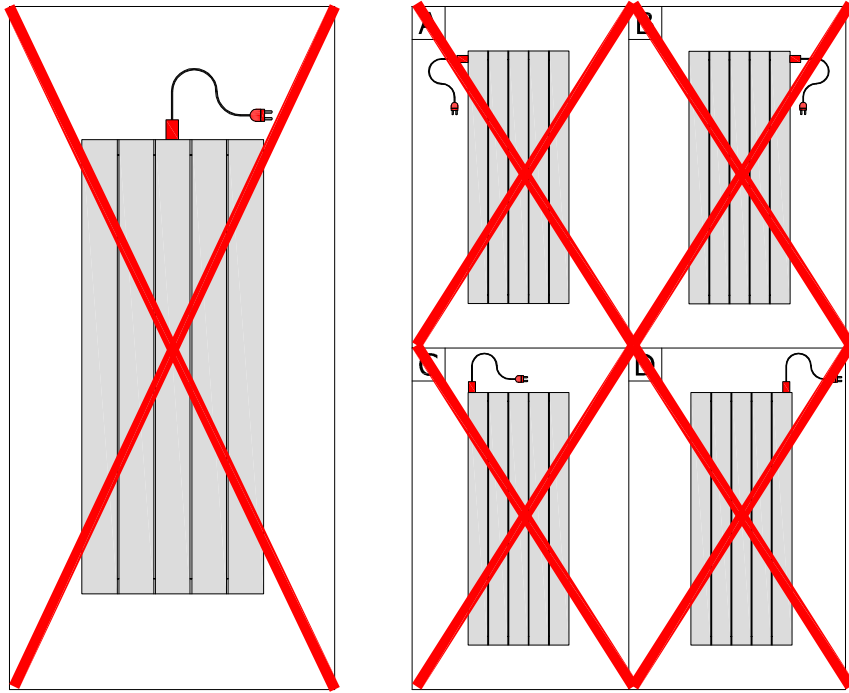


- Cable lenght about 1.2 mt
- Analogic or digital thermostat available as an option
- Freezing protection up to $T = -15^{\circ}$, available protection up to $T = -38^{\circ}$ upon request
- Installation class I, II, III available upon request

WARNING: some configurations may to available depending on the size

NOTE FOR INSTALLER : The installation must ensure that the power cord is not directly in contact with the radiator

PROHIBITED CONFIGURATIONS



WARNING:

- The configuration barred are PROHIBITED and therefore K8 will not accept any liability for their use

BRACKETS MOUNTING INSTRUCTIONS

