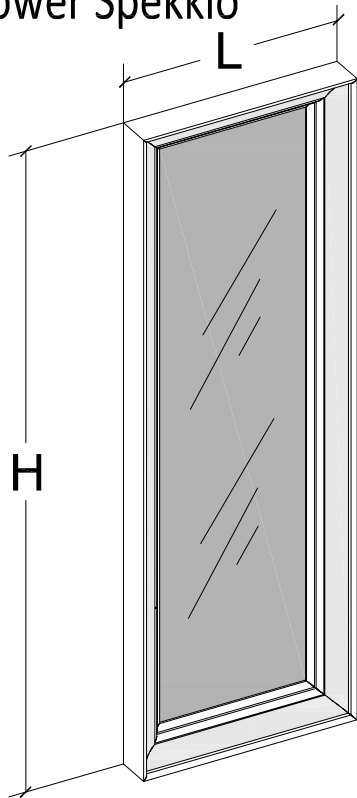
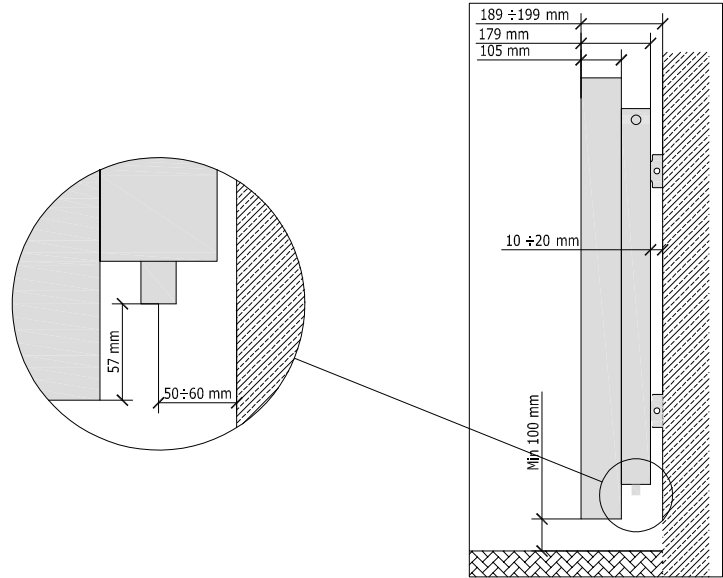




Power Spekchio



DEPTH

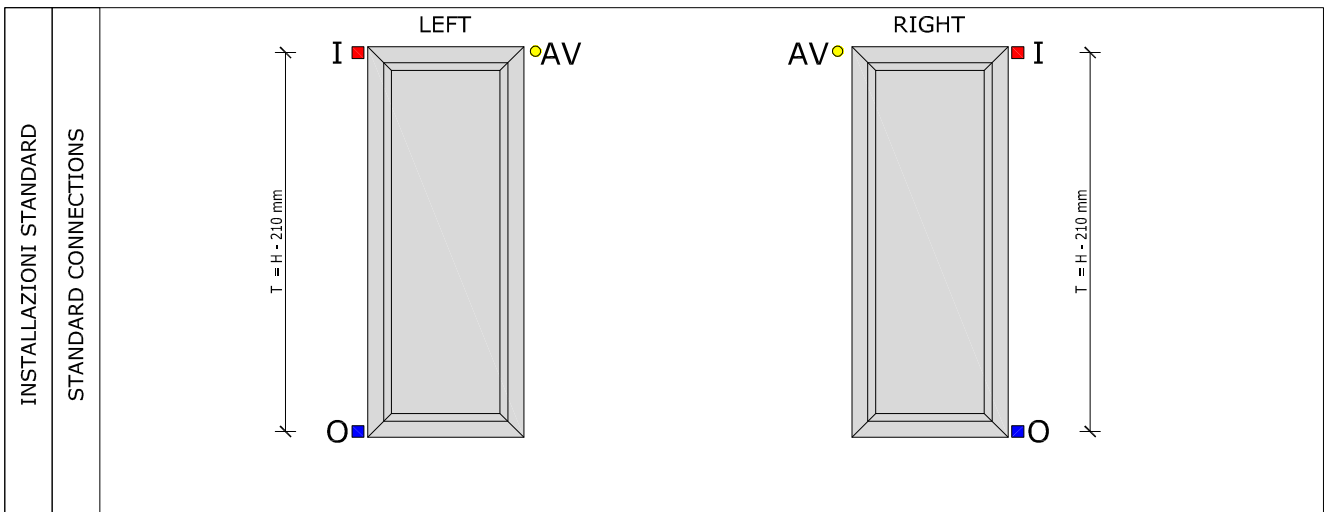


ATTENTION: Use coaxial valve only

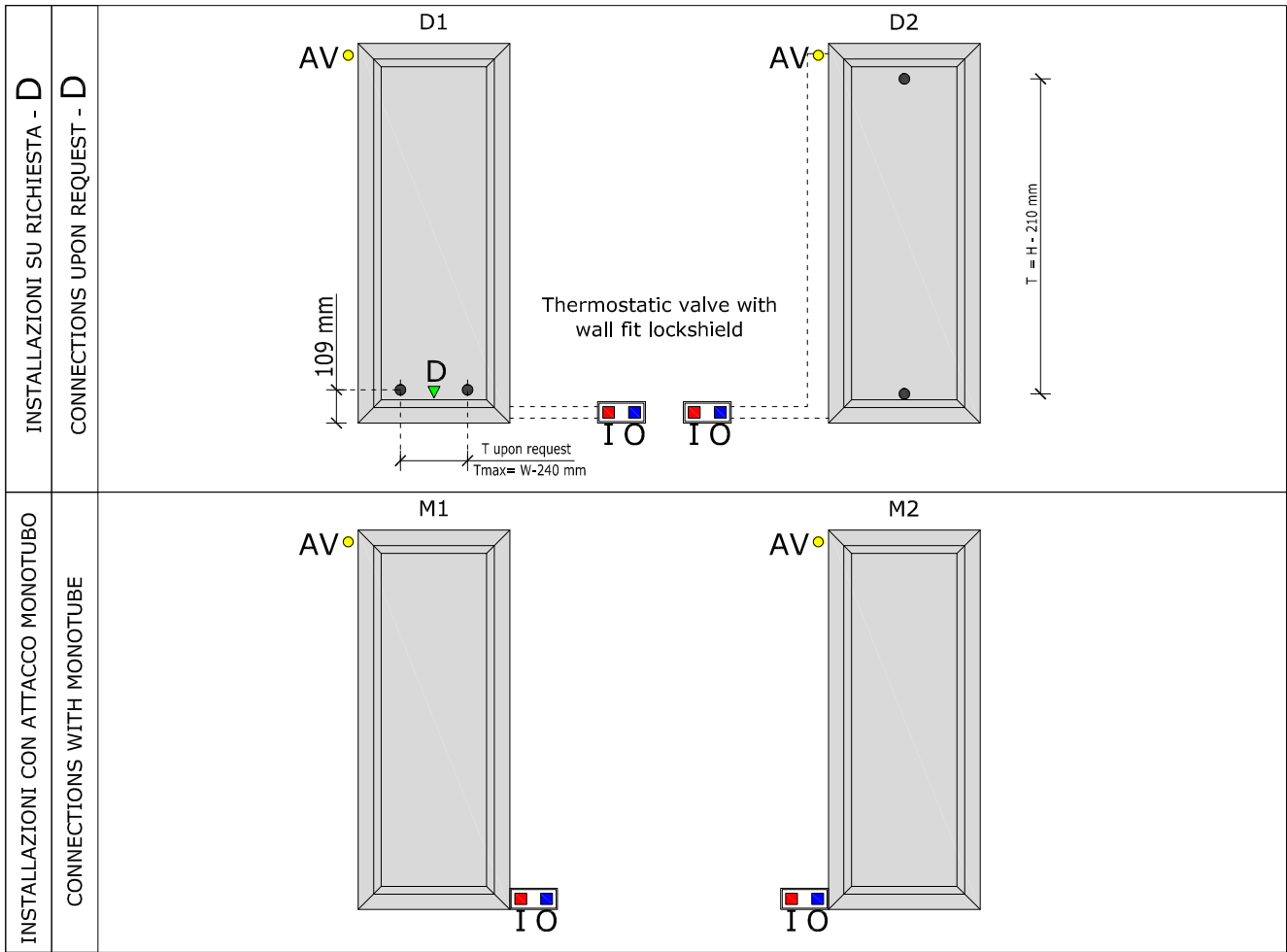
Heigt H	Width W	Tap to tap distance T	Water content	Weight	Output ΔT 30° C	Output ΔT 50° C
[mm]	[mm]	[mm]	[lt]	[Kg]	[W]	[W]
700	1930	490	5,0	60,32	1005	1971
1600	570	1390	2,3	32,2	580	1138
	650		2,7	36,38	701	1374
	730		3,2	40,55	819	1605
	810		3,6	44,73	936	1836
1800	570	1590	2,5	35,80	661	1296
	650		3,0	40,46	796	1561
	730		3,5	45,12	929	1821
	810		4,1	49,78	1062	2083
2000	570	1790	2,8	39,41	793	1554
	650		3,3	44,54	890	1746
	730		3,9	49,68	1039	2037
	810		4,5	54,82	1188	2329
2200	570	1990	3,0	43,01	822	1612
	650		3,7	48,63	985	1932
	730		4,3	54,25	1150	2255
	810		4,9	59,87	1314	2576
2400	570	2190	3,3	46,61	903	1770
	650		4,0	52,71	1080	2118
	730		4,6	58,82	1260	2471
	810		5,3	64,92	1440	2823

AVAILABLE CONNECTIONS

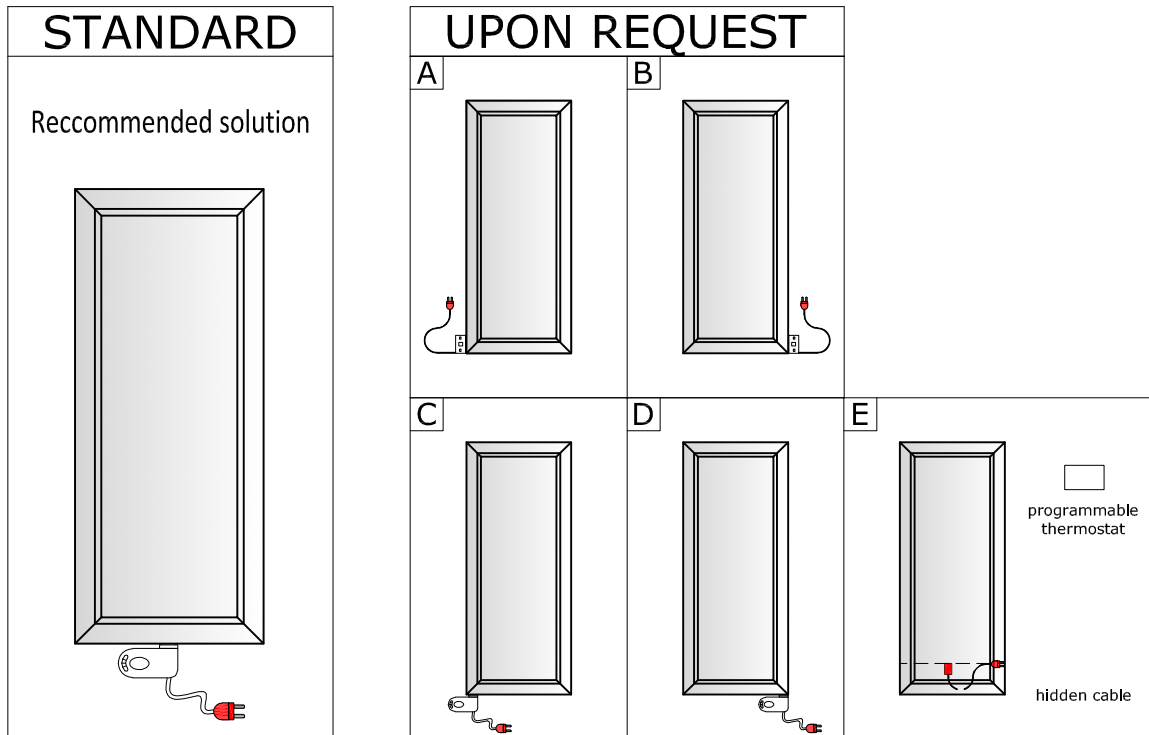
- I =entrata / in
- O =uscita / out
- ▲ D =diaframma / Diaphragm
- T =interasse / Tap to tap distance
- AV =Sfiato / air vent



<p>INSTALLAZIONI SU RICHIESTA - A CONNECTIONS UPON REQUEST - A</p>	<p>Diagrams A1, A2, A3, and A4 illustrate various connection configurations for radiators. Each diagram shows a radiator with a central drain (D) and an air vent (AV). Connections for inlet (I) and outlet (O) are shown at different positions. Dimensions indicate a distance of <math>T = W - 80 \text{ mm}</math> from the radiator edge to the connection points.</p>
<p>INSTALLAZIONI SU RICHIESTA - B CONNECTIONS UPON REQUEST - B</p>	<p>Diagrams B1, B2, B3, B4, B5, and B6 show additional connection configurations. B1 and B2 have dimensions <math>T</math> upon request and <math>T_{\text{max}} = W - 240 \text{ mm}</math>. B3 and B4 have dimensions <math>T_{\text{max}} = W - 240 \text{ mm}</math> and <math>T</math> upon request. B5 and B6 show a specific connection with a distance of <math>T = 50 \text{ mm}</math> between the inlet and outlet.</p>
<p>INSTALLAZIONI SU RICHIESTA - C CONNECTIONS UPON REQUEST - C</p>	<p>Diagrams C1 and C2 show connection configurations with specific height dimensions. Both have a width dimension of <math>T = W - 80 \text{ mm}</math> and a height dimension of <math>T = H - 210 \text{ mm}</math>.</p>



## ELECTRIC CONFIGURATIONS



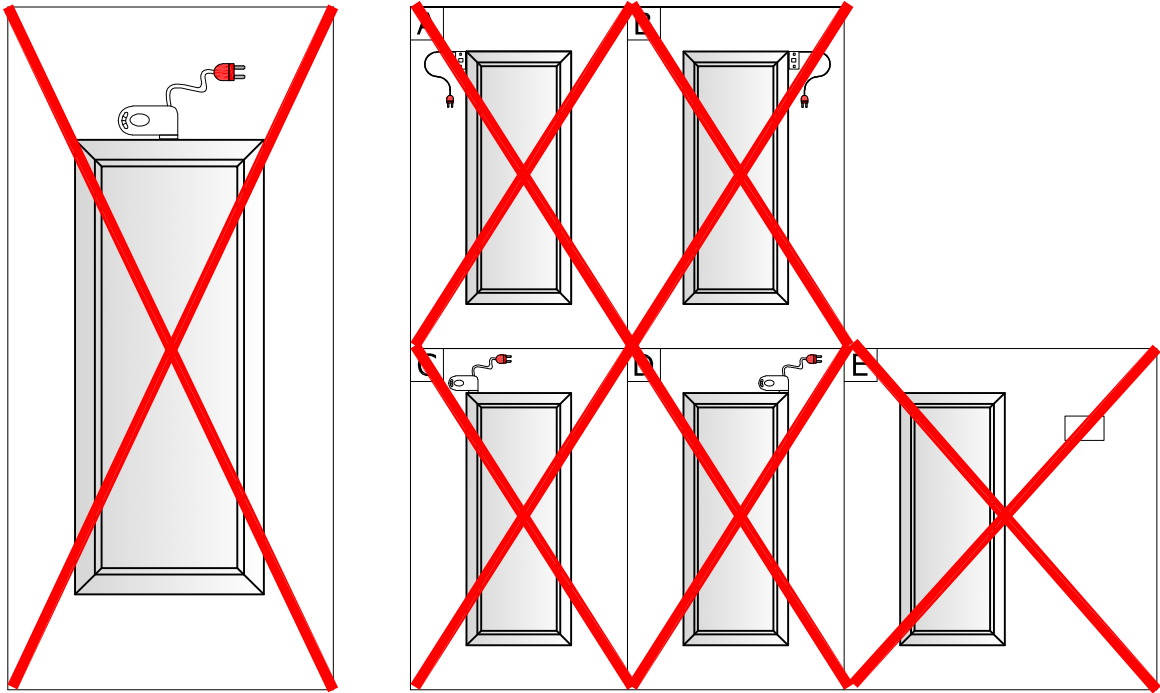
Electric radiators need a programmable thermostat according to "EcoDesign" european directive

- Cable length about 1.2 mt
- Analogic or digital thermostat available as an option
- Freezing protection up to  $T = -15^{\circ}$ , available protection up to  $T = -38^{\circ}$  upon request

WARNING: some configurations may not be available depending on the size

NOTE FOR INSTALLER : The installation must ensure that the power cord is not directly in contact with the radiator

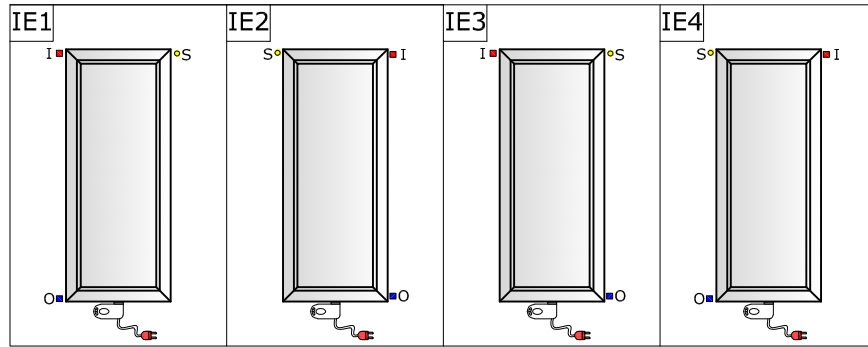
## PROHIBITED CONFIGURATIONS



### WARNING:

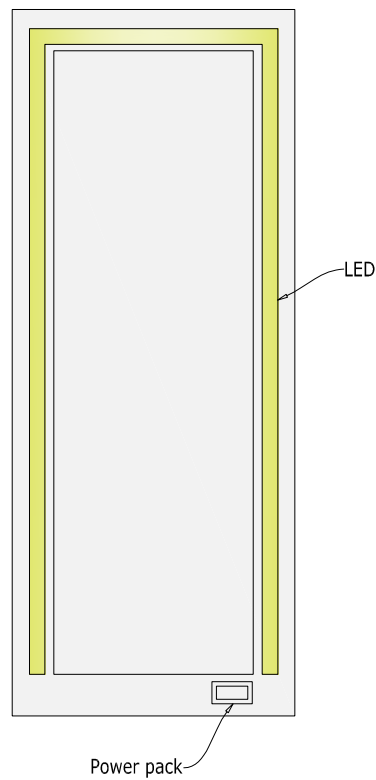
- The configuration barred are PROHIBITED and therefore K8 will not accept any liability for their use

## DUAL FUEL POSSIBLE CONFIGURATIONS

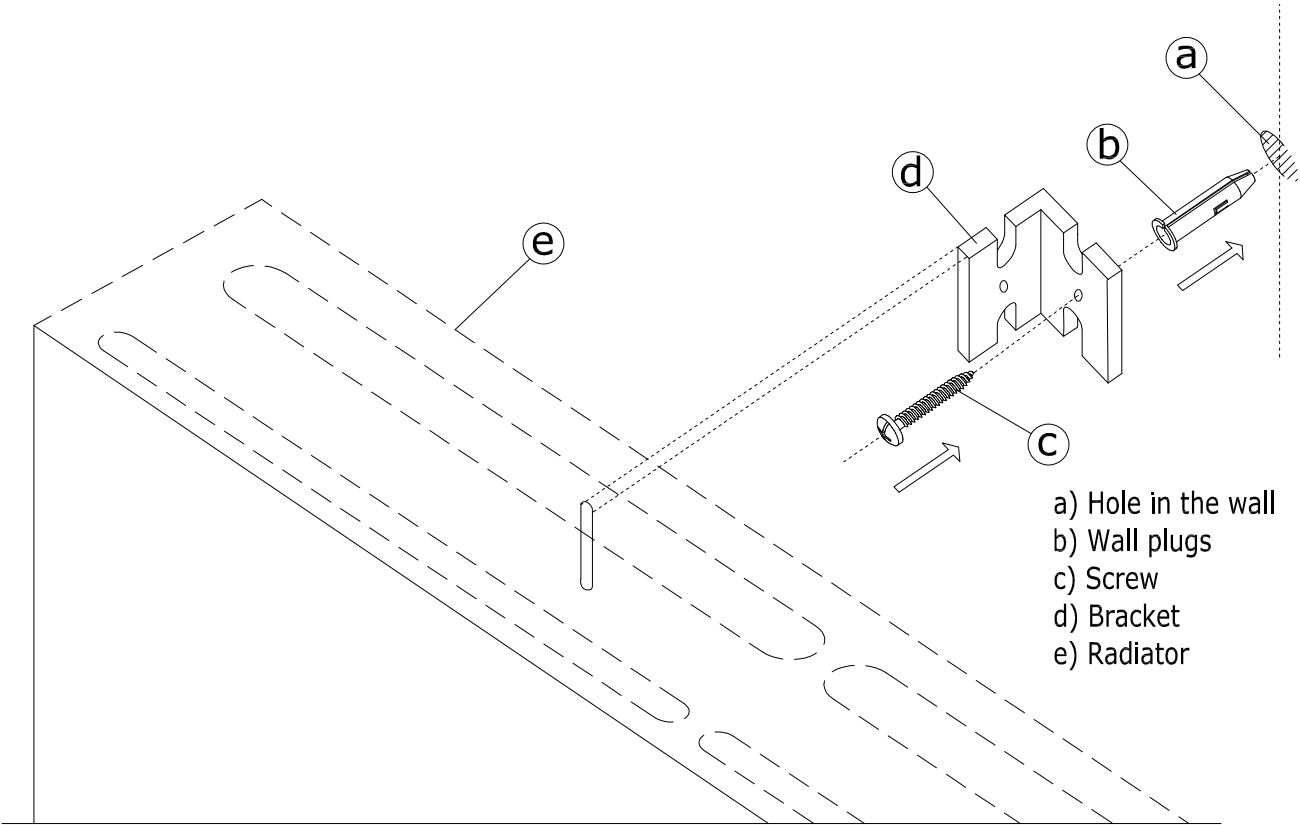


Dual Fuel version are only available with standard or "C" water connections

## Led backlight configurations

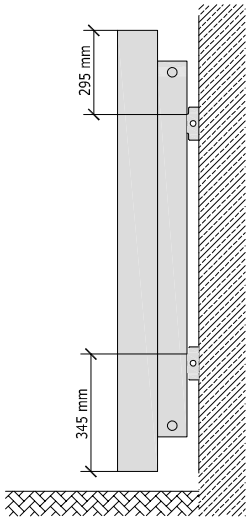


# BRACKETS MOUNTING INSTRUCTIONS



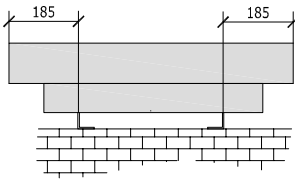
# BRACKETS MOUNTING INSTRUCTIONS

VIEW FROM THE SIDE



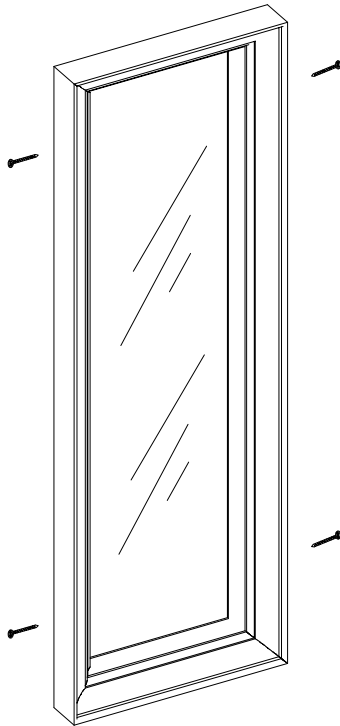
Dimension anchors holes for mounting the brackets

VIEW FROM THE TOP



# ISTRUZIONI MONTAGGIO A MURO

## INSTRUCTIONS WALL ASSEMBLY

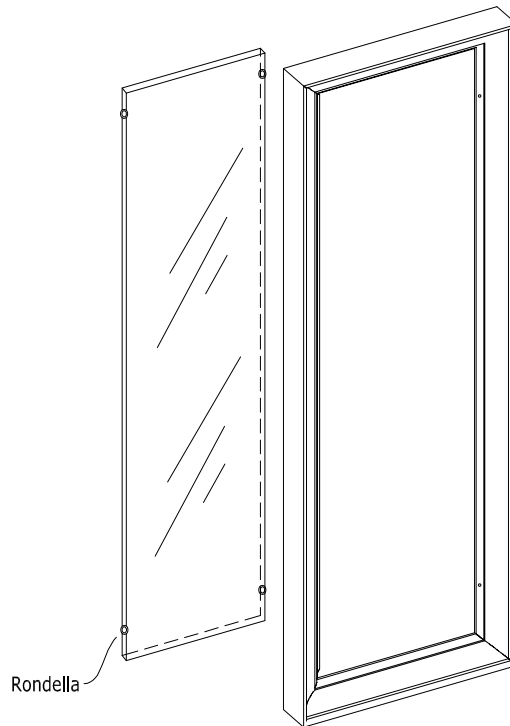


### FASE 1

Svitare le 4 viti ai lati che tengono unita la cornice al radiatore

### STEP 1

Unscrew 4 side screws fastening the frame to the radiator

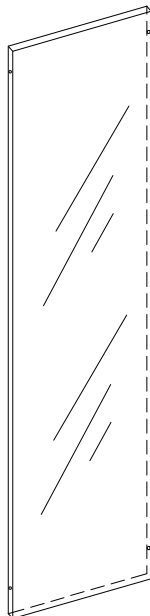


### FASE 2

Staccare la cornice dal radiatore, facendo attenzione alle rondelle tra il radiatore e la cornice

### STEP 2

Disassembly frame from radiator, paying attention to the washers between them

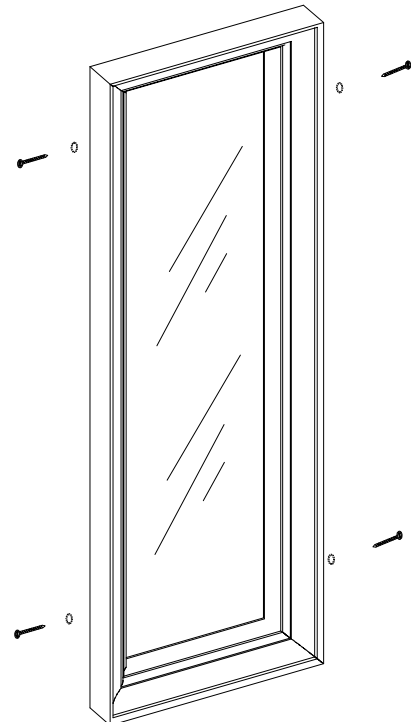


### FASE 3

Montare il radiatore sul muro e collegarlo all'impianto.  
Rimuovere il film protettivo

### STEP 3

Mount the radiator on the wall and connect it to the heating system.  
Remove film protection



### FASE 4

Montare la cornice al radiatore riavvitando le 4 viti rimosse in precedenza e inserendo le rondelle tra il radiatore e la cornice

### STEP 4

Assembly frame to the radiator rescrewing 4 screws and inserting the washers between the radiator and the frame