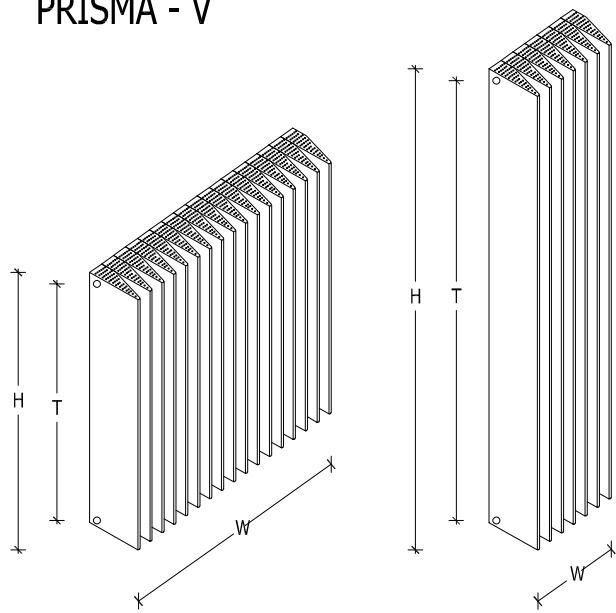
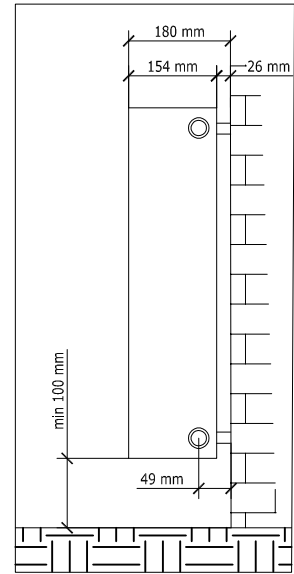




PRISMA - V



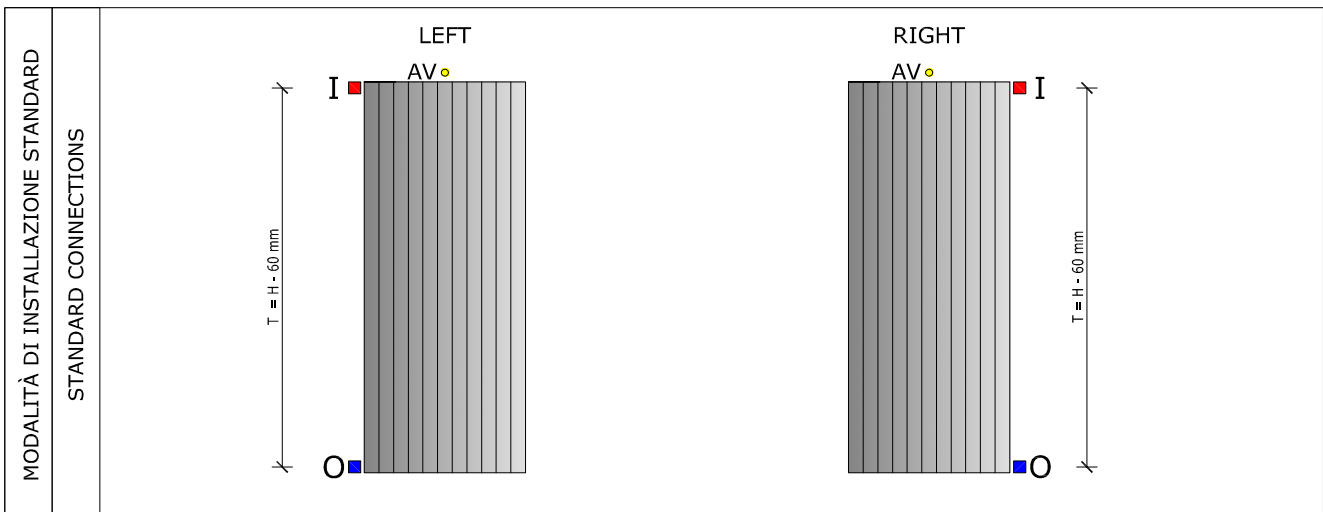
DEPTH



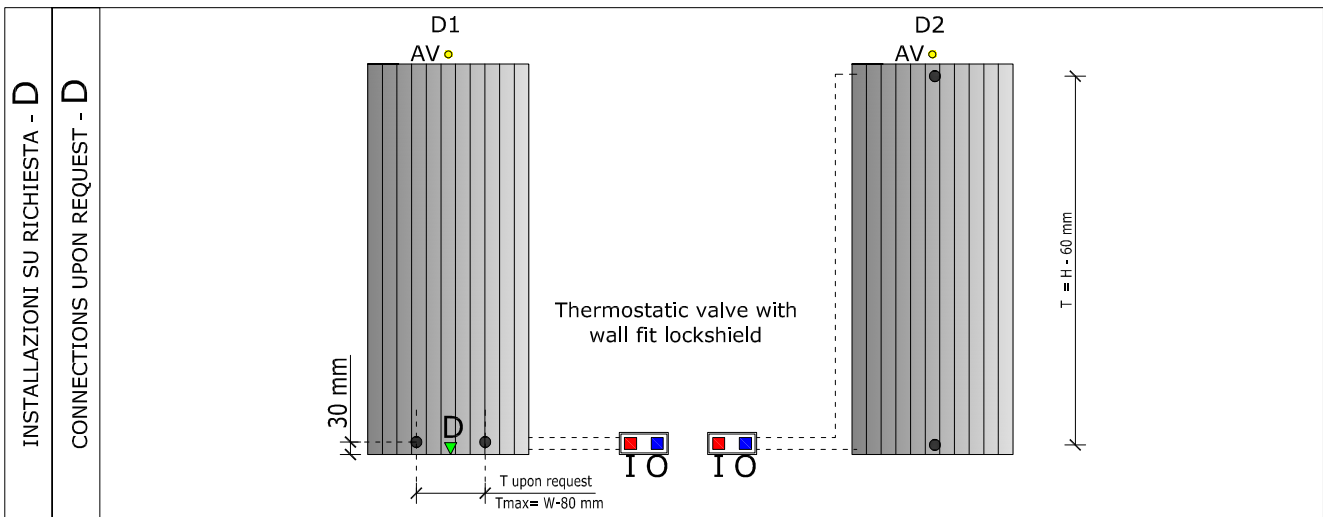
H altezza height hauteur altura	T interasse tap to tap distance entraxe inter-espacio	W larghezza width largeur anchura	resa - output - rendement - rendimento		litri liters litros	peso weight poids peso
			ΔT 30° C	ΔT 50° C		
[mm]	[mm]	[mm]	[W]	[W]	[Lt]	[kg]
400	340	(40,5 x n° item)	40	78	0,14	0,91
500	440		47	92	0,16	1,08
600	540		55	108	0,19	1,24
700	640		63	124	0,21	1,41
800	740		70	137	0,24	1,58
900	840		78	153	0,26	1,74
1.000	940		85	167	0,29	1,91
1.200	1.140		101	199	0,34	2,24
1.400	1.340		117	229	0,39	2,58
1.600	1.540		132	259	0,44	2,90
1.800	1.740		147	289	0,49	3,24
2.000	1.940		163	319	0,54	3,57
2.200	2.140		177	348	0,59	3,90
2.500	2440		200	392	0,67	4,40

AVAILABLE CONNECTIONS

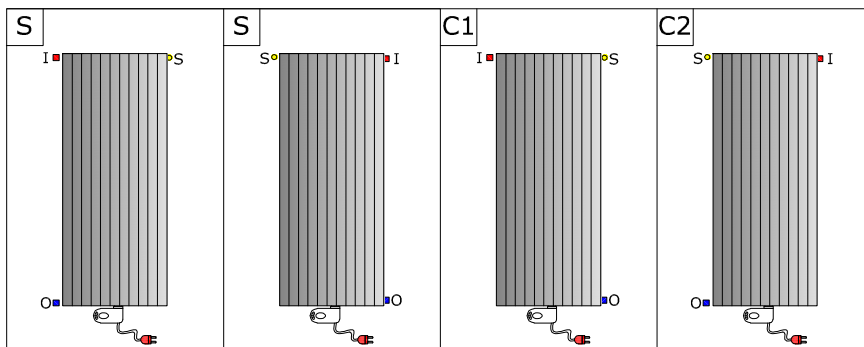
- I = entrata / in
- O = uscita / out
- AV● = sfiato / air vent
- ◀ D = diaframma / Diaphragm
- T = interasse / interspace



<p>INSTALLAZIONI SU RICHIESTA - A CONNECTIONS UPON REQUEST - A</p>	
<p>INSTALLAZIONI SU RICHIESTA - B CONNECTIONS UPON REQUEST - B</p>	
<p>INSTALLAZIONI SU RICHIESTA - C CONNECTIONS UPON REQUEST - C</p>	
<p>INSTALLAZIONI CON ATTACCO MONOTUBO CONNECTIONS WITH MONOTUBE</p>	

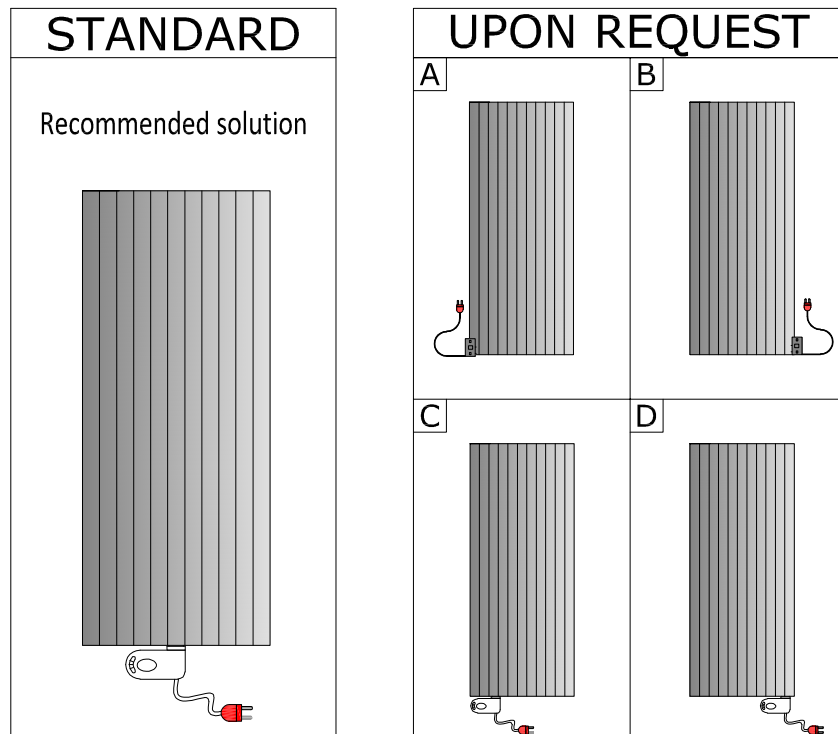


DUAL FUEL POSSIBLE CONFIGURATIONS



Dual Fuel version are only available with standard or "C" water connections

ELECTRIC CONFIGURATIONS

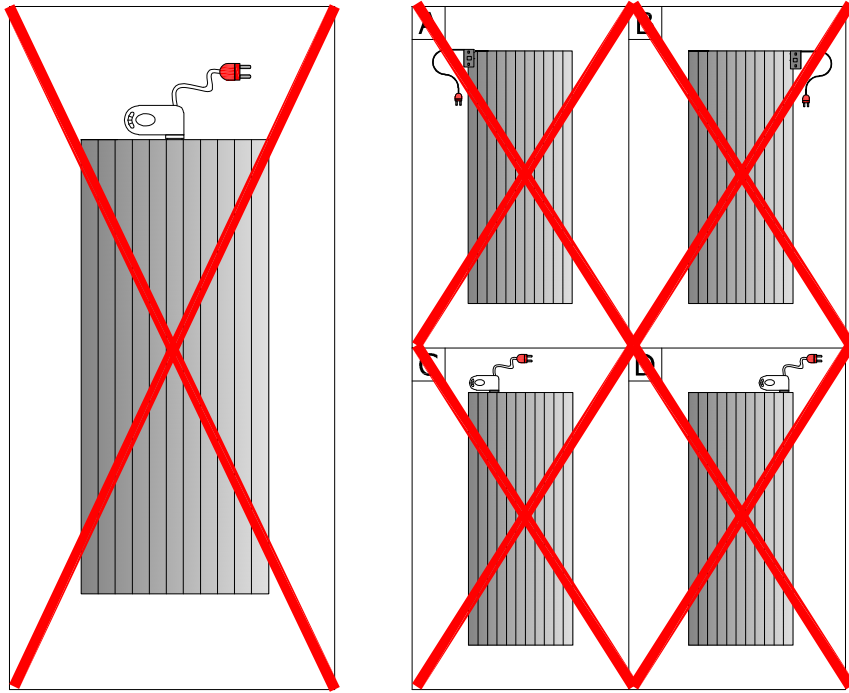


Electric radiators need a programmable thermostat according to "EcoDesign" european directive

WARNING: some configurations may be available depending on the size

NOTE FOR INSTALLER : The installation must ensure that the power cord is not directly in contact with the radiator

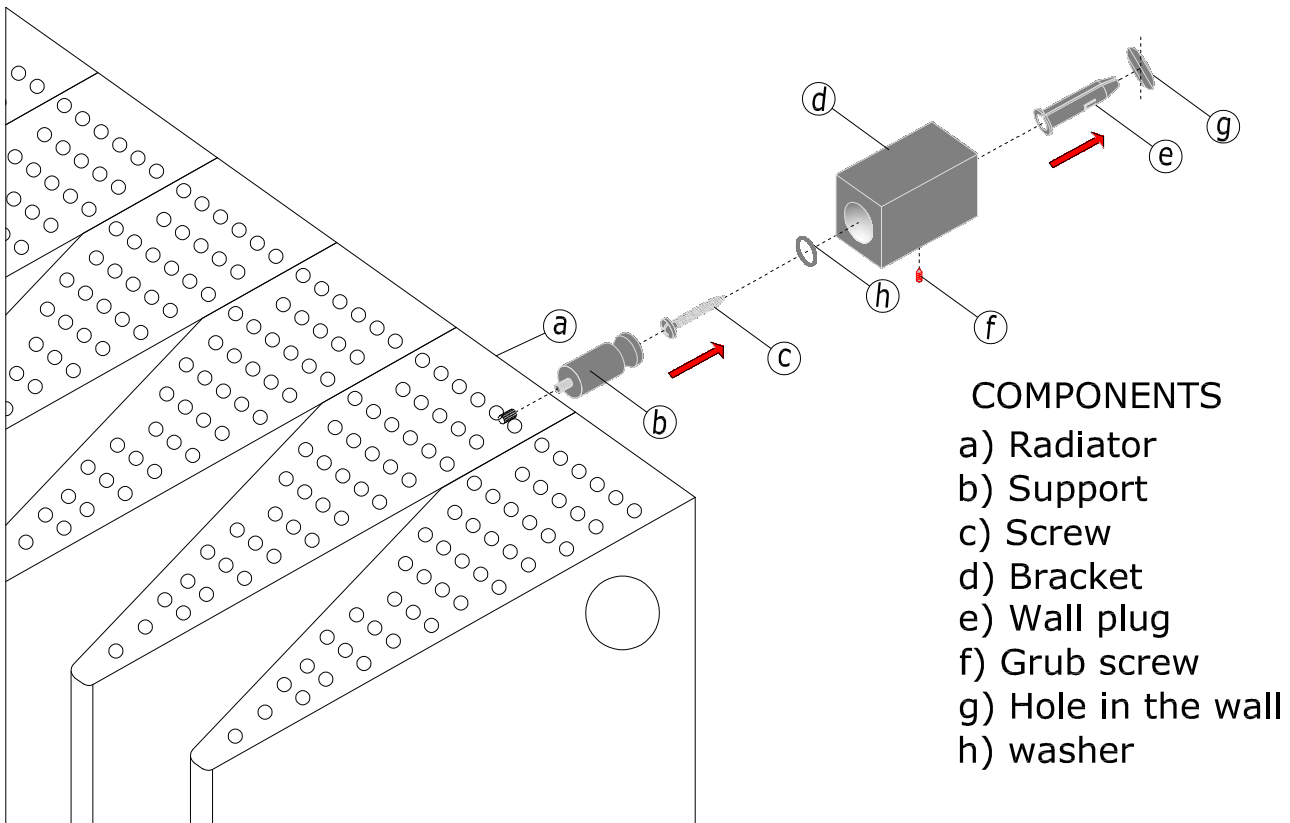
PROHIBITED CONFIGURATIONS



WARNING:

- The configuration barred are PROHIBITED and therefore K8 will not accept any liability for their use

BRACKETS MOUNTING INSTRUCTIONS



AIR VENT POSITION

To use the air vent remove the mask from its seat

