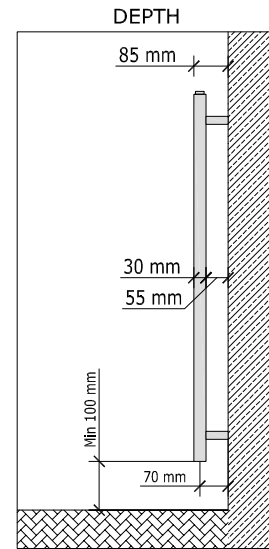
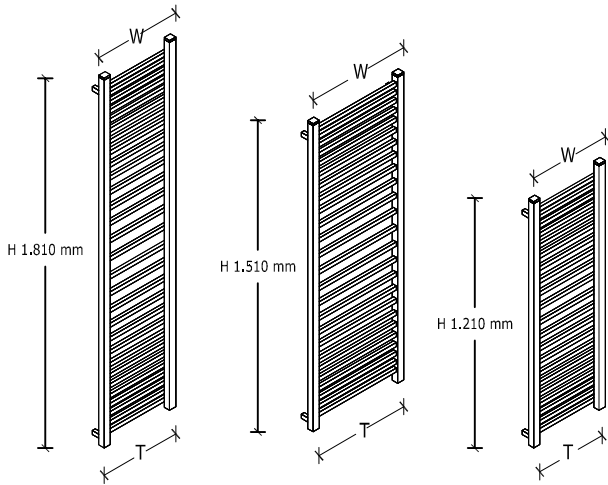




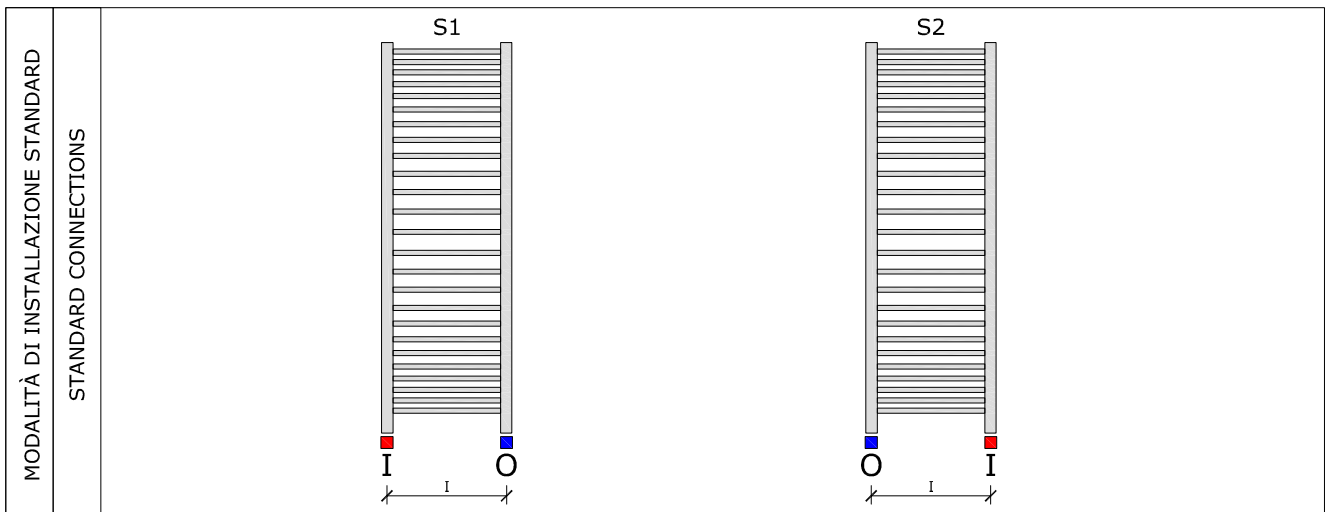
Tiramolla

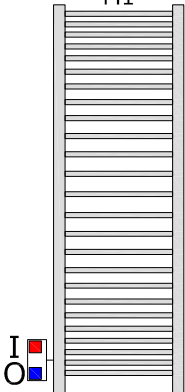
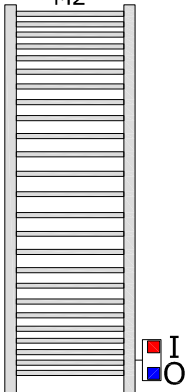
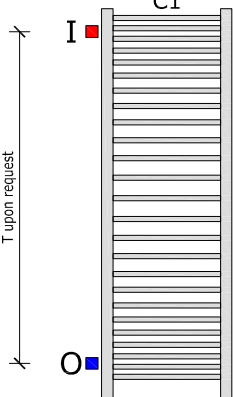
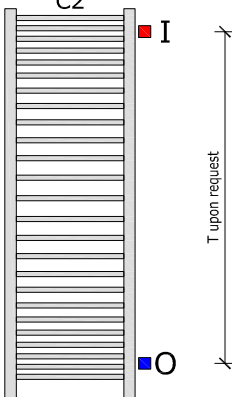
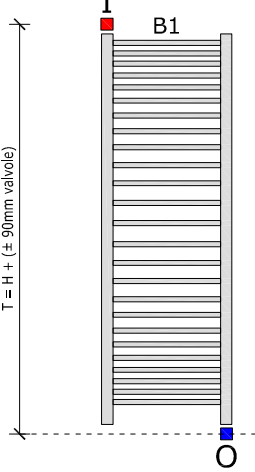
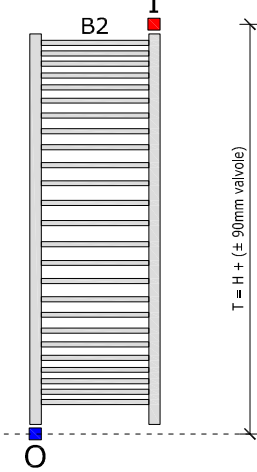
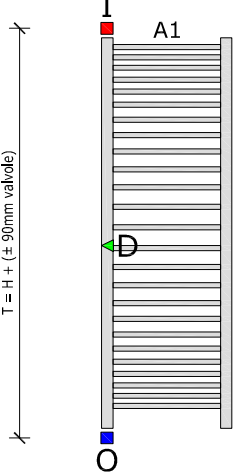
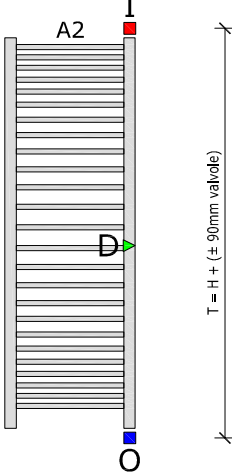


H altezza height hauteur altura	W larghezza width largeur anchura	T interasse Tap to tap distance entraxe inter-espacio	resa - output rendement - rendimento	
			$\Delta T 30^{\circ} C$	$\Delta T 50^{\circ} C$
			Watt	Watt
1.200 mm	400 mm 500 mm	370 mm 470 mm	226	444
			271	532
1.500 mm	400 mm 500 mm	370 mm 470 mm	274	537
			327	642
1.800mm	400 mm 500 mm	370 mm 470 mm	321	630
			384	752

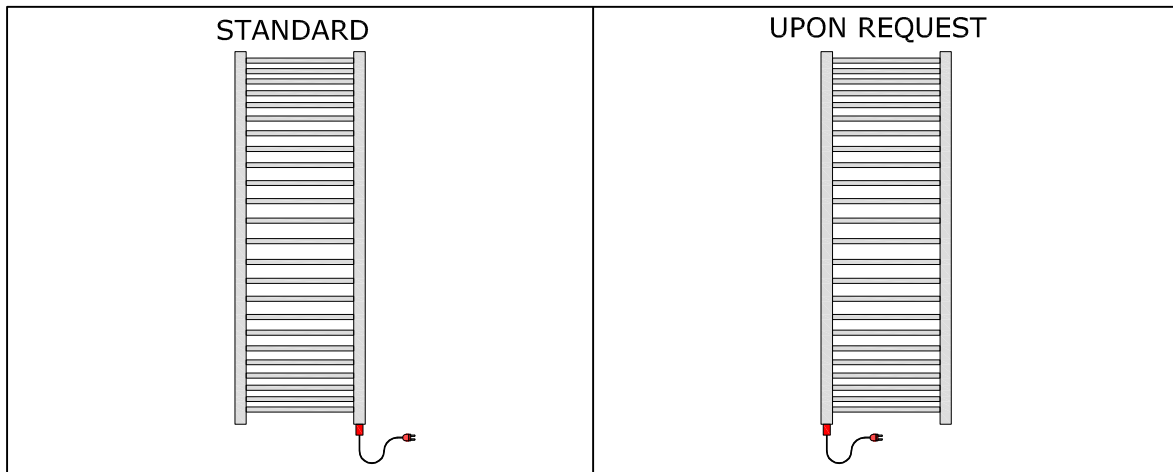
AVAILABLE CONNECTIONS

- I =entrata / in
- O =uscita / out
- ▲ D =diaframma / Diaphragm
- T =interasse / Tap to tap distance



<p>INSTALLAZIONI CON ATTACCO MONOTUBO CONNECTIONS WITH MONOTUBE</p>		<p>M1</p> 	<p>M2</p> 
<p>INSTALLAZIONI SPECIALI SU RICHIESTA - C CONNECTIONS UPON REQUEST - C</p>		<p>C1</p> 	<p>C2</p> 
<p>INSTALLAZIONI SPECIALI SU RICHIESTA - B CONNECTIONS UPON REQUEST - B</p>		<p>B1</p> 	<p>B2</p> 
<p>INSTALLAZIONI SPECIALI SU RICHIESTA - A CONNECTIONS UPON REQUEST - A</p>		<p>A1</p> 	<p>A2</p> 

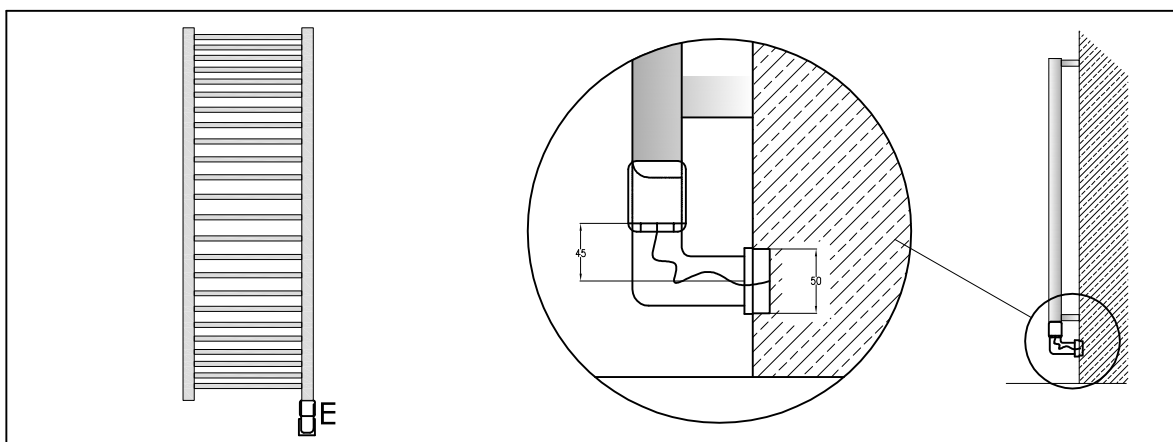
POSSIBLE CONFIGURATIONS



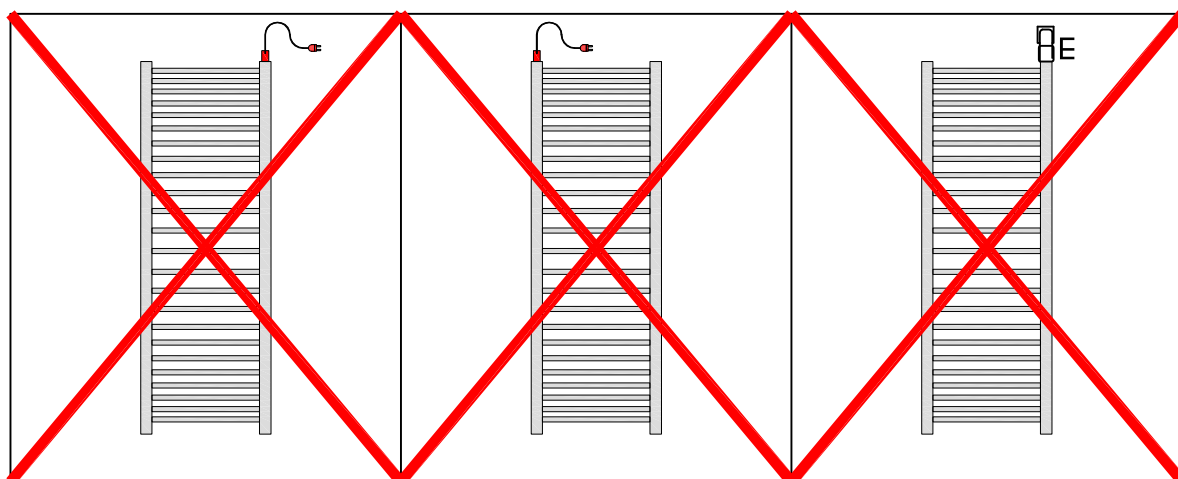
- Cable length about 1.2 mt
- Analogic or digital thermostat available as an option
- Freezing protection up to $T = -15^{\circ}$, available protection up to $T = -38^{\circ}$ upon request

WARNING: some configurations may not be available depending on the size

WITH CABLE COVER



PROHIBITED CONFIGURATIONS

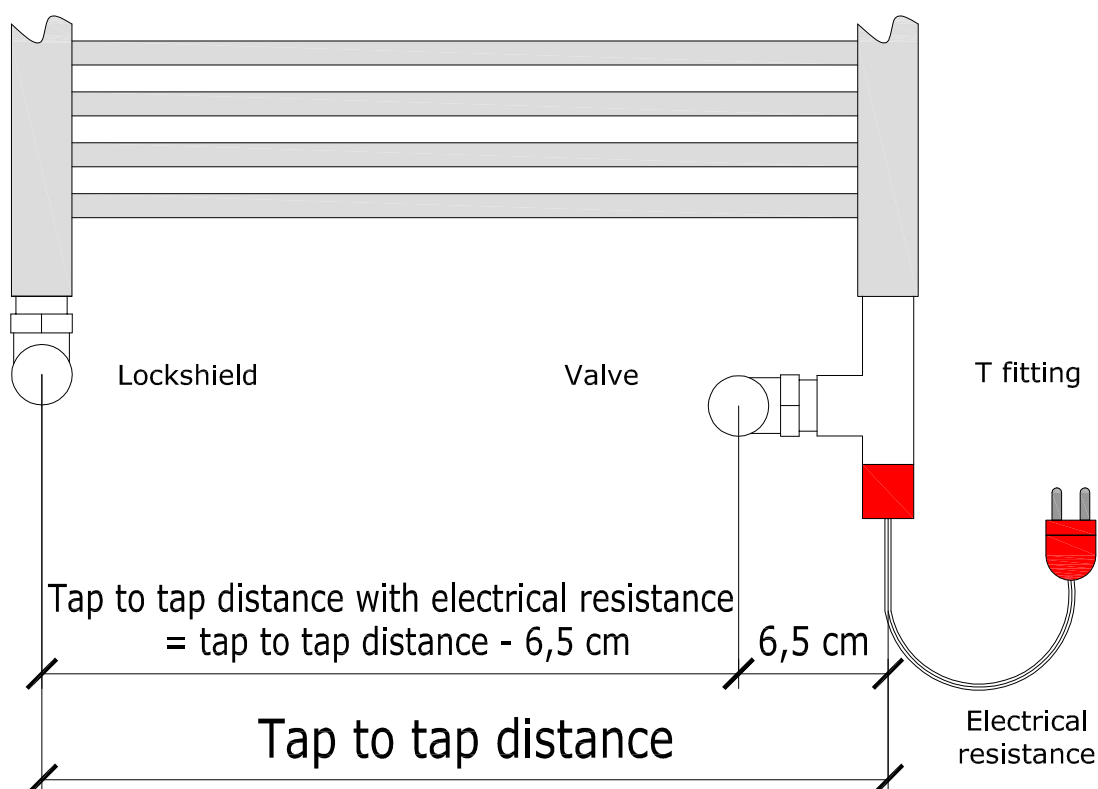


WARNING:

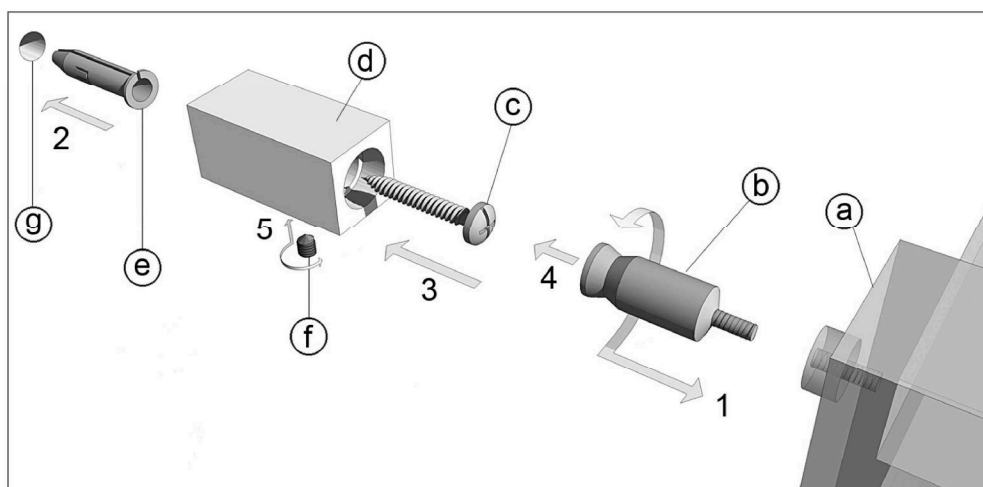
- The configuration barred are PROHIBITED and therefore K8 will not accept any liability for their use

NOTE FOR INSTALLER : The installation must ensure that the power cord is not directly in contact with the radiator

HYDROELETTRIC CONFIGURATION



BRACKETS MOUNTING INSTRUCTIONS



COMPONENTS

- | | |
|-------------|---------------------|
| a) Radiator | e) Nog |
| b) Linchpin | f) Head-less screw |
| c) Screw | g) Hole in the wall |
| d) Bracket | |

INSTRUCTIONS

- 1) Screw the linchpin (b) onto the back of the radiator (a)
- 2) Putt the Nog (e) in the wall hole (g)
- 3) Fasten the bracket (d) to the wall with the screw (c)
- 4) Mount the radiator so the linchpins go into the brackets
- 5) Tighten the head-less screw (f)