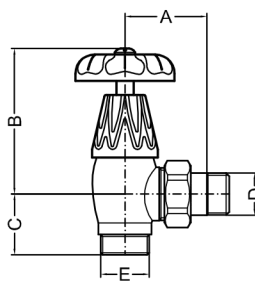


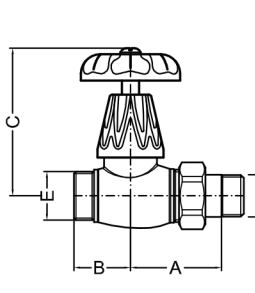
08.

V351



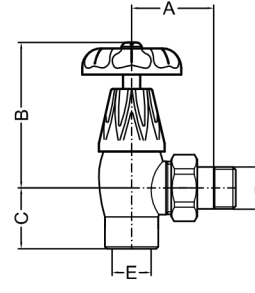
D	A	B	C	E
1/2"	41	74	30	24-19

V355



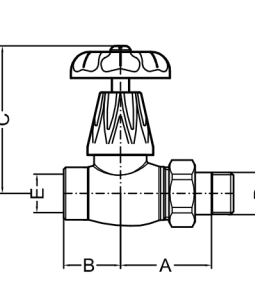
D	A	B	C	E
1/2"	45	28	75	24-19

V353



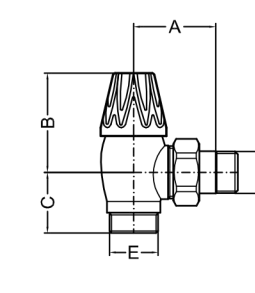
D	A	B	C	E
1/2"	41	74	30	1/2" F

V357



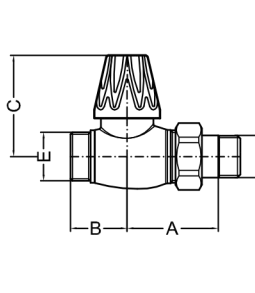
D	A	B	C	E
1/2"	45	28	75	1/2" F

V352



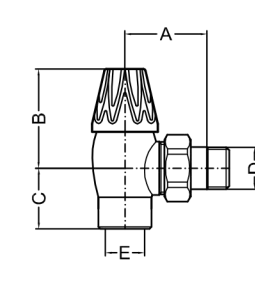
D	A	B	C	E
1/2"	41	52	30	24-19

V356



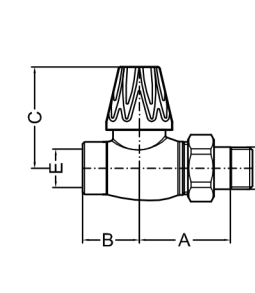
D	A	B	C	E
1/2"	45	28	53	24-19

V354



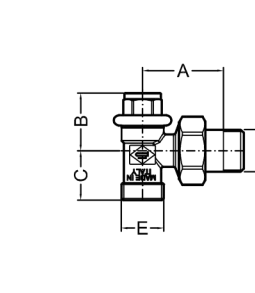
D	A	B	C	E
1/2"	41	52	30	1/2" F

V358



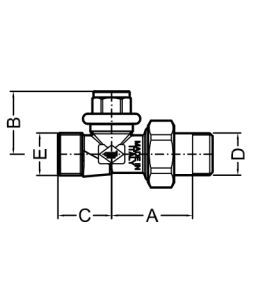
D	A	B	C	E
1/2"	45	28	53	1/2" F

V6721



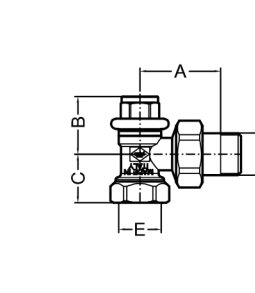
D	A	B	C	E
1/2"	40	28	24	1/2"

V6761



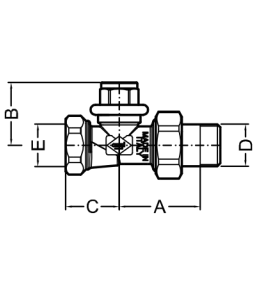
D	A	B	C	E
1/2"	40	28	26	1/2"

V6741Q



D	A	B	C	E
1/2"	40	28	24	1/2" F

V6781



D	A	B	C	E
1/2"	40	28	26	1/2" F