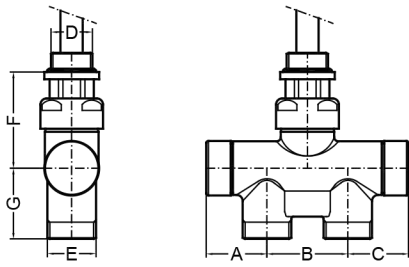




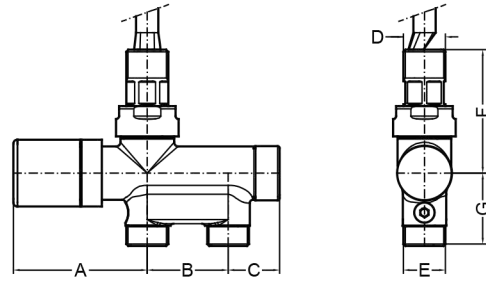
08.

V875



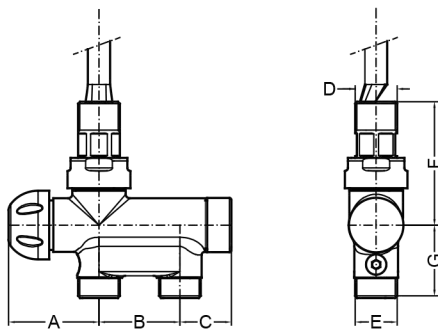
D	A	B	C	E	F	G
1/2"	30	40	30	24x19 - 3/4"EK	47	35

V8975



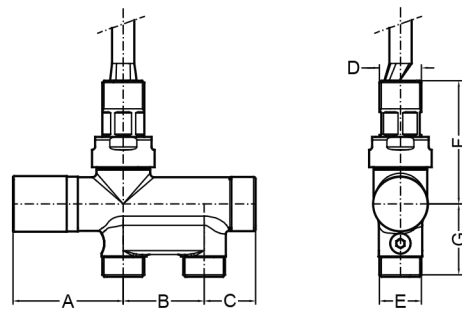
D	A	B	C	E	F	G
1/2"	66	40	25.5	24x19 - 3/4"EK	61	36

V8875



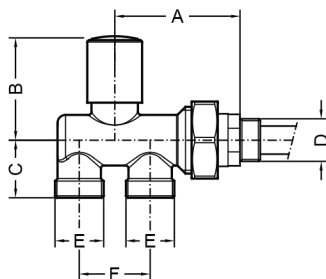
D	A	B	C	E	F	G
1/2"	45	40	25.5	24x19 - 3/4"EK	61	36

V8775



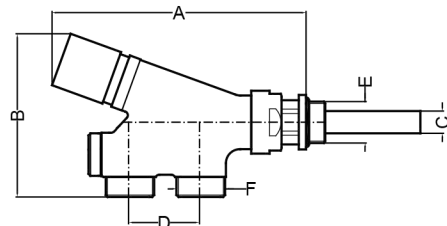
D	A	B	C	E	F	G
1/2"	54.5	40	25.5	24x19 - 3/4"EK	61	36

V620



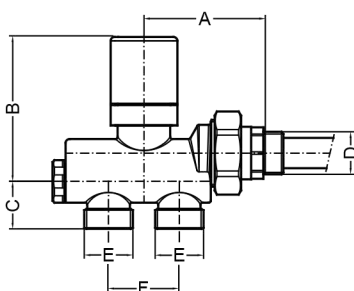
D	A	B	C	E	F
1/2"	62	51.5	28.5	24x19	35

V169



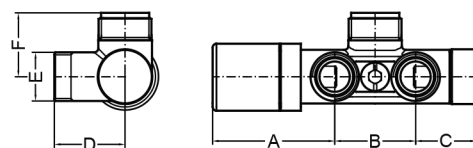
E	A	B	C	D	F
1/2"	126	81	11	35	24-19

V159



D	A	B	C	E	F
1/2"	60	72	24	24x19	35

V811TKM



A	B	C	E	F	D
60.5	40	30	24x19 - 3/4"EK	31.5	35