

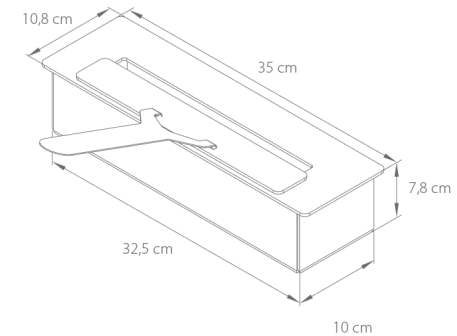
# Burning system



# Burning box

The casing of the burning box is glassblasted, the topside and cover are brushed. The set contains a lighter and a funnel. The rectangular burning box is also available separately.

- Material burner:** Brushed stainless steel.
- Material cover:** Brushed stainless steel.
- Details burner:** Removable, capacity 2 litres, burning time 6-8 hours.



# Bio-alcohol

All Safretti® fireplaces are fuelled by a renewable energy source called "bio-alcohol". Bio-alcohol, formally named "ethanol or ethyl alcohol" is an absolute alcohol, produced by the fermentation of sugars originating from agricultural and forestry products mainly sugar cane, potatoes, bananas, beetroot and recently from cereals such as wheat.

In accordance with various global regulations ethanol is a 100% alcohol which cannot be sold in its purest form to avoid human consumption. Ethanol producers denature ethanol with various substances so it can be sold. Bio-alcohol (denatured ethanol) is made up entirely of biological products resulting in a neutral ecological balance (greenhouse compliant).

The combustion of bio-alcohol results in a clean emission: heat, steam and carbon dioxide. Bio-alcohol burns just as cleanly. The initiative of using bio-alcohol or denatured ethanol as an energy source for heating is unique on the market.

