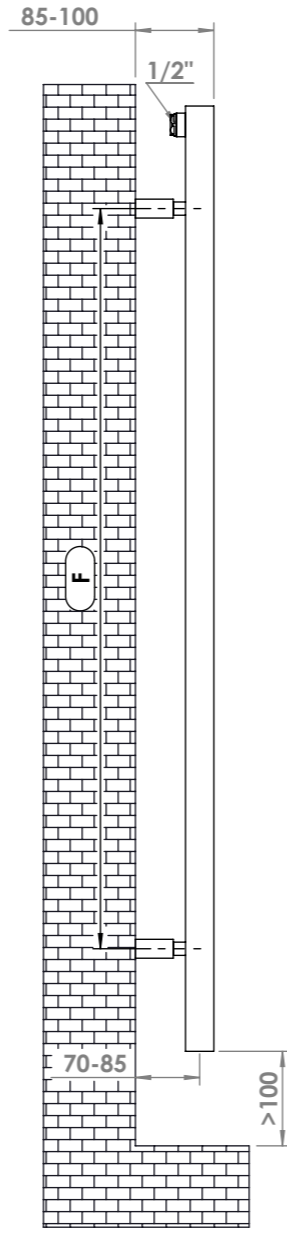
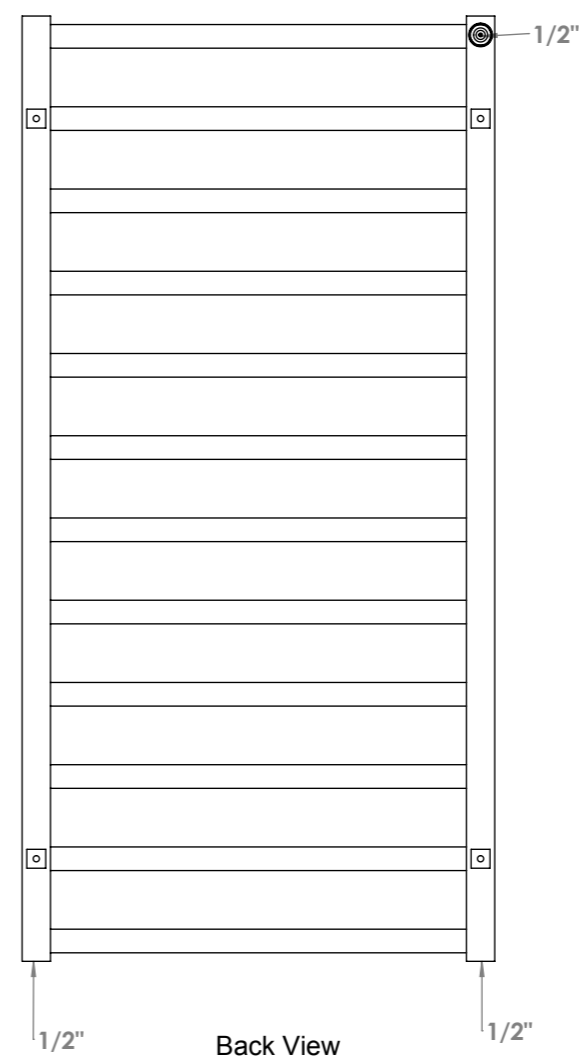


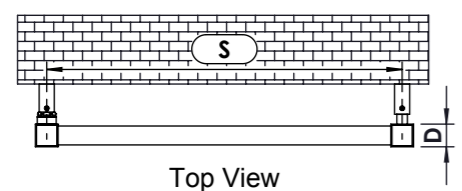
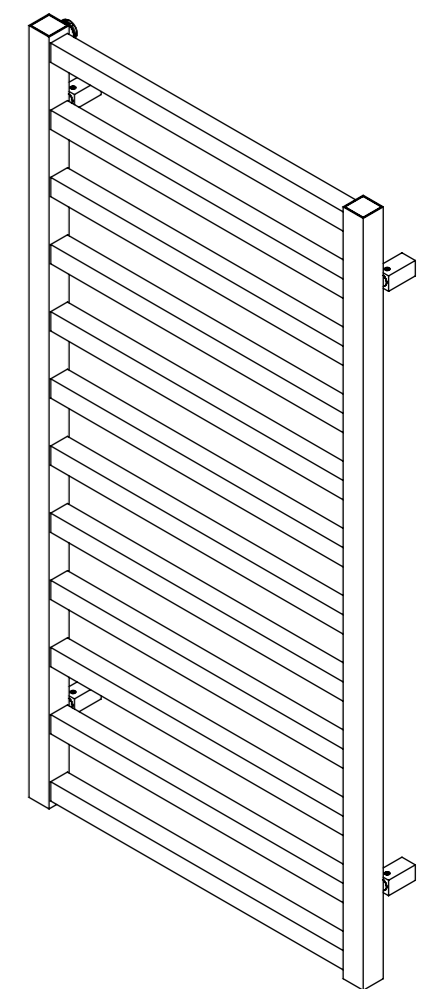
Front View



Side View









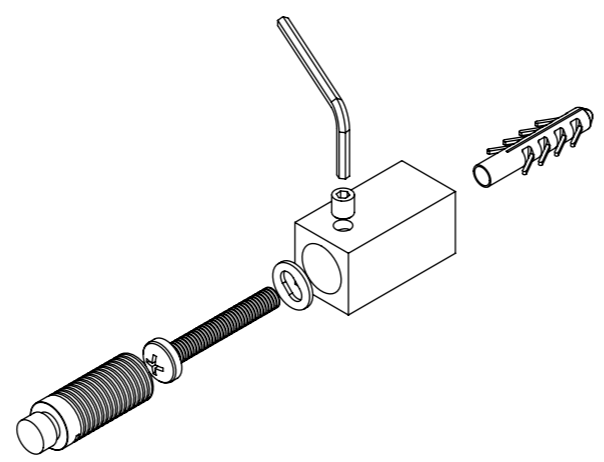
Back View



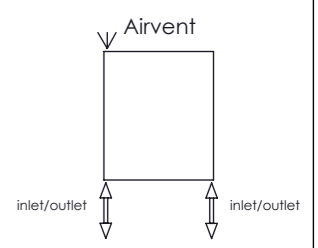
Top View

**Installation Accesories:**

-  **x4**
-  **x4**
-  **x4**
-  **x4**
-  **x4**
-  **x1**



**Fitting Position:**



Vertical mount  
 All Dimensions are in mm  
 Max.Working Pressure: 10 Bar  
 Max.Working Temperature: 95° C  
 Inlet / Outlet : 1/2" BSP  
 Fuel : E/H/D

PRODUCT CODE	Height	Length	Depth	Pipe Centres	Bracket Centres	
	H	L	D	C	F	S
	mm	mm	mm	mm	mm	mm
4K5	480	420	30	390	260	390
5K10	1000	500	30	470	783	470
5K17	1700	500	30	470	1479	470